

READY-TO-RUN

SCX10 III COYOTE

4WD ROCK CRAWLER



**INSTRUCTION MANUAL
BEDIENUNGSANLEITUNG
MANUEL D'UTILISATION
MANUALE DI ISTRUZIONI**

Scan the QR code and select the Manuals and Support quick links from the product page for the most up-to-date manual information.

Scannen Sie den QR-Code und wählen Sie auf der Produktseite die Quicklinks Handbücher und Unterstützung, um die aktuellsten Informationen zu Handbücher.

Scannez le code QR et sélectionnez les liens rapides Manuals and Support sur la page du produit pour obtenir les informations les plus récentes sur le manuel.

Scannerizzare il codice QR e selezionare i Link veloci Manuali e Supporto dalla pagina del prodotto per le informazioni manuali più aggiornate.



AXI-3071



AXI-2036

NOTICE

All instructions, warranties and other collateral documents are subject to change at the sole discretion of Horizon Hobby, LLC. For up-to-date product literature, visit horizonhobby.com or towerhobbies.com and click on the support or resources tab for this product.

MEANING OF SPECIAL LANGUAGE

The following terms are used throughout the product literature to indicate various levels of potential harm when operating this product:

WARNING: Procedures, which if not properly followed, create the probability of property damage, collateral damage, and serious injury OR create a high probability of superficial injury.

CAUTION: Procedures, which if not properly followed, create the probability of physical property damage AND a possibility of serious injury.

NOTICE: Procedures, which if not properly followed, create a possibility of physical property damage AND a little or no possibility of injury.



WARNING: Read the ENTIRE instruction manual to become familiar with the features of the product before operating. Failure to operate the product correctly can result in damage to the product, personal property and cause serious injury.

This is a sophisticated hobby product. It must be operated with caution and common sense and requires some basic mechanical ability. Failure to operate this Product in a safe and responsible manner could result in injury or damage to the product or other property. This product is not intended for use by children without direct adult supervision. Do not use with incompatible components or alter this product in any way outside of the instructions provided by Horizon Hobby, LLC. This manual contains instructions for safety, operation and maintenance. It is essential to read and follow all the instructions and warnings in the manual, prior to assembly, setup or use, in order to operate correctly and avoid damage or serious injury.

Age Recommendation: Not for children under 14 years. This is not a toy.

SAFETY PRECAUTIONS AND WARNINGS

As the user of this product, you are solely responsible for operating in a manner that does not endanger yourself and others or result in damage to the product or property of others.

This model is controlled by a radio signal subject to interference from many sources outside your control. This interference can cause momentary loss of control, so it is advisable to always keep a safe distance in all directions around your model as this margin will help avoid collisions or injury.

- Never operate your model with low transmitter batteries.
- Always operate your model in open spaces away from full-size vehicles, traffic and people.
- Never operate the model in the street or in populated areas for any reason.
- Carefully follow the directions and warnings for this and any optional support equipment (chargers, rechargeable battery packs, etc.) you use.
- Keep all chemicals, small parts and anything electrical out of the reach of children.
- Never lick or place any portion of the model in your mouth as it could cause serious injury or even death.
- Exercise caution when using tools and sharp instruments.
- Take care during maintenance as some parts may have sharp edges.
- Immediately after using your model, do NOT touch equipment such as the motor, electronic speed control and battery, because they generate high temperatures. You may burn yourself seriously touching them.
- Do not put fingers or any objects inside rotating and moving parts, as this may cause damage or serious injury.
- Always turn on your transmitter before you turn on the receiver in the car. Always turn off the receiver before turning your transmitter off.
- Keep the wheels of the model off the ground when checking the operation of the radio equipment.



WARNING AGAINST COUNTERFEIT PRODUCTS: Always purchase from a Horizon Hobby, LLC authorized dealer to ensure authentic high-quality Spektrum product. Horizon Hobby, LLC disclaims all support and warranty with regards, but not limited to, compatibility and performance of counterfeit products or products claiming compatibility with Spektrum technology.

TABLE OF CONTENTS

Water-resistant Vehicle with Waterproof Electronics	3	Vehicle Maintenance	10
Box Contents.....	4	Binding.....	11
Required Equipment, RTR Basic (AXI-2036) Only	4	Firma 40A Brushed ESC	11
Recommended tools.....	4	Troubleshooting.....	12
Getting started checklist.....	5	Limited Warranty.....	13
Vehicle Parts.....	5	Warranty and Service Contact Information	13
Charging Warnings.....	6	FCC Information.....	14
Charge the Vehicle Battery	6	IC Information.....	14
Install the Transmitter Batteries.....	7	Compliance Information for the European Union.....	14
Transmitter Functions.....	7	Exploded Views.....	56
Install the Vehicle Battery	8	Parts Lists.....	60
Control Test.....	9	Optional Parts.....	62
Range-check the Radio System	9	Recommended.....	65

WATER-RESISTANT VEHICLE WITH WATERPROOF ELECTRONICS

Your new Horizon Hobby vehicle has been designed and built with a combination of waterproof and water-resistant components to allow you to operate the product in many “wet conditions,” including puddles, creeks, wet grass, snow and even rain.

While the entire vehicle is highly water-resistant, it is not completely waterproof and your vehicle should NOT be treated like a submarine. The various electronic components used in the vehicle, such as the Electronic Speed Control (ESC), servo(s) and receiver are waterproof, however, most of the mechanical components are water-resistant and should not be submerged.

Metal parts, including the bearings, hinge pins, screws and nuts, as well as the contacts in the electrical cables, will be susceptible to corrosion if additional maintenance is not performed after running in wet conditions. To maximize the long-term performance of your vehicle and to keep the warranty intact, the procedures described in the “Wet Conditions Maintenance” section below must be performed regularly if you choose to run in wet conditions. If you are not willing to perform the additional care and maintenance required, then you should not operate the vehicle in those conditions.



CAUTION: Failure to exercise caution while using this product and complying with the following precautions could result in product malfunction and/or void the warranty.

GENERAL PRECAUTIONS

- Read through the wet conditions maintenance procedures and make sure that you have all the tools you will need to properly maintain your vehicle.
- Not all batteries can be used in wet conditions. Consult the battery manufacturer before use. Caution should be taken when using Li-Po batteries in wet conditions.
- Most transmitters are not water-resistant. Consult your transmitter’s manual or the manufacturer before operation.
- Never operate your transmitter or vehicle where lightning may be present.
- Do not operate your vehicle where it could come in contact with salt water (ocean water or water on salt-covered roads), contaminated or polluted water. Salt water is very conductive and highly corrosive, so use caution.
- Even minimal water contact can reduce the life of your motor if it has not been certified as water-resistant or waterproof. If the motor becomes excessively wet, apply very light throttle until the water is mostly removed from the motor. Running a wet motor at high speeds may rapidly damage the motor.
- Driving in wet conditions can reduce the life of the motor. The additional resistance of operating in water causes excess strain. Alter the gear ratio by using a smaller pinion or larger spur gear. This will increase torque (and motor life) when running in mud, deeper puddles, or any wet conditions that will increase the load on the motor for an extended period of time.

WET CONDITIONS MAINTENANCE

- Drain any water that has collected in the tires by spinning them at high speed. With the body removed, place the vehicle upside down and pull full throttle for a few short bursts until the water has been removed.



CAUTION: Always keep hands, fingers, tools and any loose or hanging objects away from rotating parts when performing the above drying technique.

- Remove the battery pack(s) and dry the contacts. If you have an air compressor or a can of compressed air, blow out any water that may be inside the recessed connector housing.
- Remove the tires/wheels from the vehicle and gently rinse the mud and dirt off with a garden hose. Avoid rinsing the bearings and transmission.

NOTICE: Never use a pressure washer to clean your vehicle.

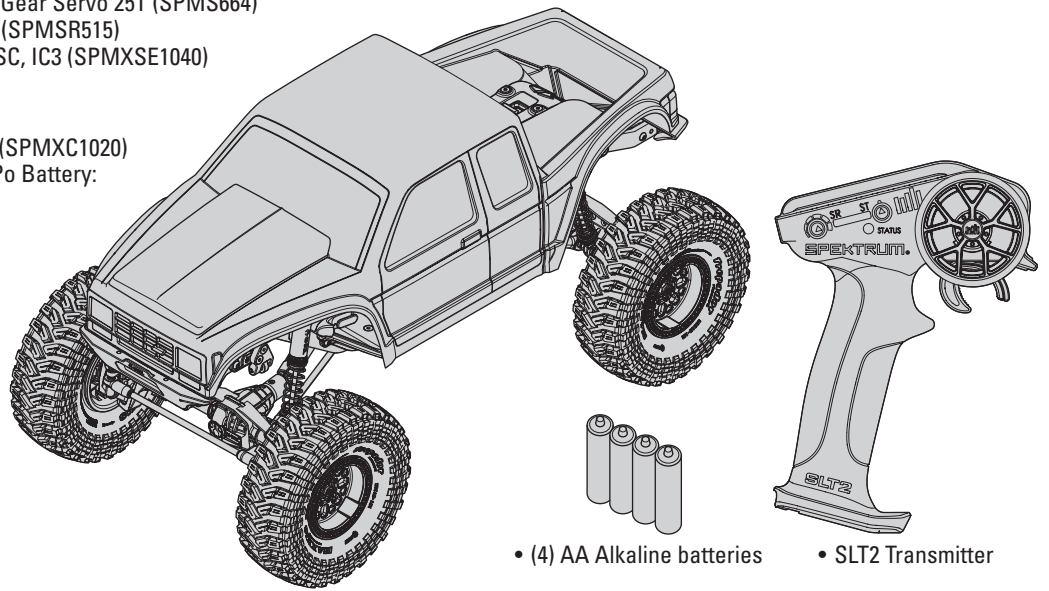
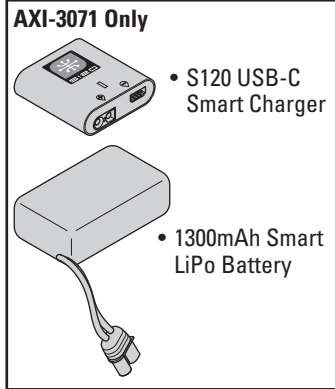
- Use an air compressor or a can of compressed air to dry the vehicle and help remove any water that may have gotten into small crevices or corners.
- Spray the bearings, drive train, fasteners and other metal parts with a water-displacing light oil. Do not spray the motor.
- Let the vehicle air dry before you store it. Water (and oil) may continue to drip for a few hours.
- Increase the frequency of disassembly, inspection and lubrication of the following:
 - Front and rear axle hub assembly bearings.
 - All transmission cases, gears and differentials.
 - Motor—clean with an aerosol motor cleaner and re-oil the bushings with lightweight motor oil.

BOX CONTENTS

- Spektrum SLT2 2CH 2.4Ghz Transmitter (SPMRSLT270)
- SCX10 III Coyote 4WD Crawler RTR
 - 35T 540 Brushed Motor (AXI-1376)
 - S664 Standard Waterproof Metal Gear Servo 25T (SPMS664)
 - SR515 DSMR 5 Channel Receiver (SPMSR515)
 - Firma 40A Brushed Waterproof ESC, IC3 (SPMXSE1040)
- (4) AA Alkaline batteries

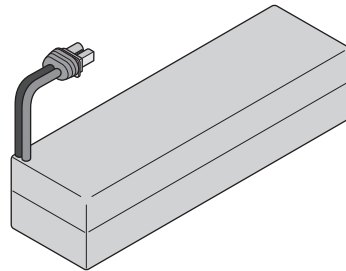
AXI-3071 Only

- S120 USB-C Smart Charger (SPMXC1020)
- 11.1V 1300mAh 3S 30C Smart G2 LiPo Battery: IC3 (SPMX133S30)

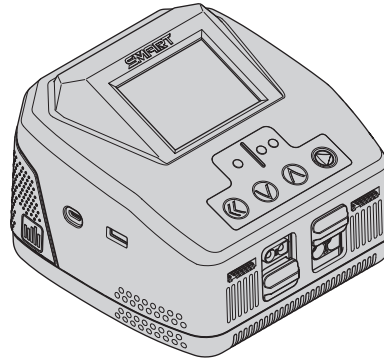


REQUIRED EQUIPMENT, RTR Basic (AXI-2036) Only

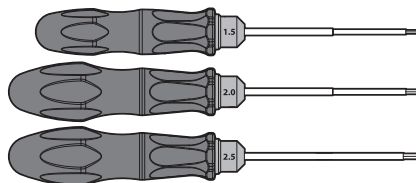
- 3S LiPo Battery (IC3™ Connector Required)



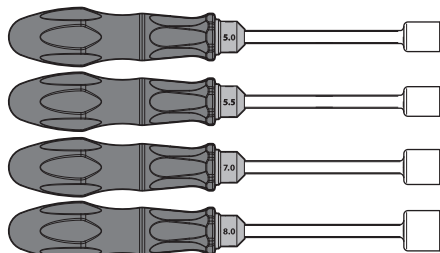
- Battery charger compatible with the chosen vehicle battery



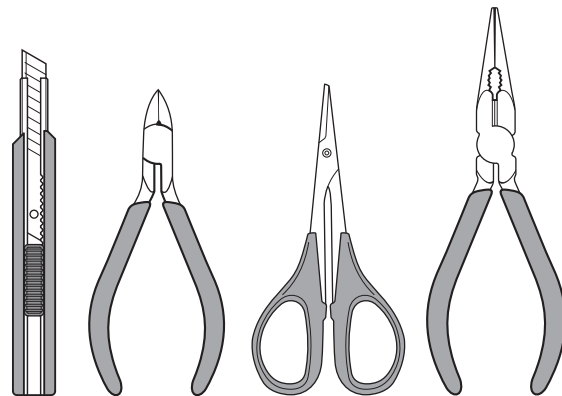
RECOMMENDED TOOLS



- Hex Drivers (1.5, 2.0, 2.5mm)



- Nut Drivers (5.0, 5.5, 7.0, 8.0mm)



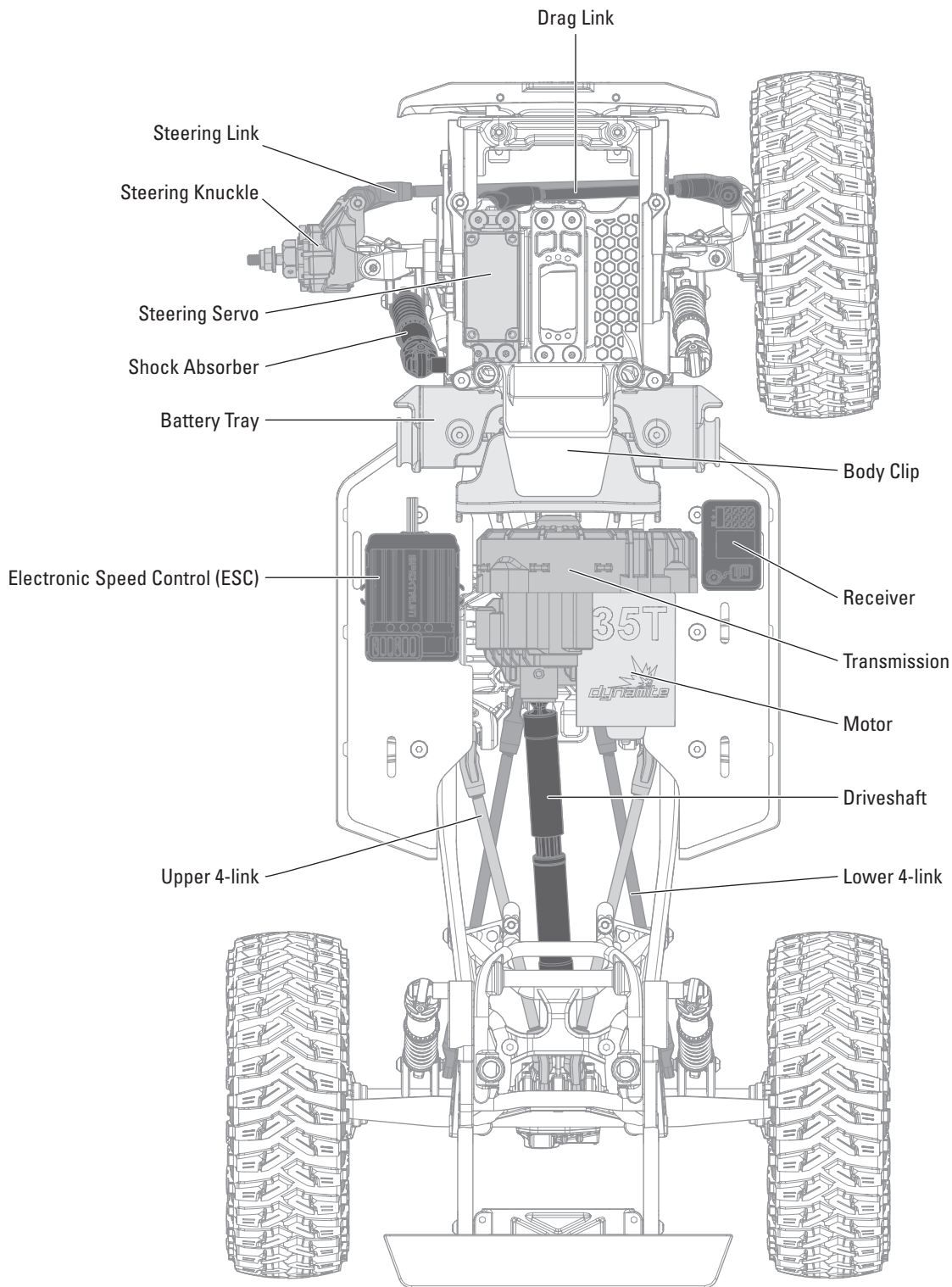
- Hobby Knife
- Side Cutter
- Curved Scissors
- Long-nose Plier

GETTING STARTED CHECKLIST

Read the manual
Familiarize yourself with the vehicle and its components
Check all screws, especially the driveshaft setscrews, for tightness from the factory
Charge the vehicle battery
Install 4 AA batteries in the transmitter

Power on the transmitter
Install the vehicle battery in the vehicle
Check for proper function of the throttle and steering
Range check the radio system
Drive the vehicle, challenge yourself and have FUN!
Perform any necessary vehicle maintenance

VEHICLE PARTS



CHARGING WARNINGS

⚠ WARNING: Failure to exercise caution while using this product and comply with the following warnings could result in product malfunction, electrical issues, excessive heat, FIRE, and ultimately injury and property damage.

- **NEVER LEAVE CHARGING BATTERIES UNATTENDED DURING USE.**
- **NEVER CHARGE BATTERIES OVERNIGHT.**
- The power supply must deliver power at Safety Extra Low Voltage (SELV).
- Never attempt to charge dead, damaged or wet battery packs.
- Never attempt to charge a battery pack containing different types of batteries.
- Never allow children under 14 years of age to charge battery packs.
- Never charge batteries in extremely hot or cold places or place in direct sunlight.
- Never charge a battery if the cable has been pinched or shorted.
- Never connect the charger if the power cable has been pinched or shorted.
- Never connect the charger to an automobile 12V battery while the vehicle is running.
- Never attempt to dismantle the charger or use a damaged charger.
- Never attach your charger to both an AC and a DC power source at the same time.
- Never connect the input jack (DC input) to AC power.
- Always use only rechargeable batteries designed for use with this type of charger in the correct programming mode.
- Always inspect the battery before charging.
- Always keep the battery away from any material that could be affected by heat.
- Always monitor the charging area and have a fire extinguisher available at all times. Always end the charging process if the battery becomes hot to the touch or starts to change form (swell) during the charge process.

- Always connect the charge cable to the charger first, then connect the battery to avoid short circuit between the charge leads. Reverse the sequence when disconnecting.
- Always connect the positive red leads (+) and negative black leads (-) correctly.
- Always disconnect the battery after charging, and let the charger cool between charges.
- Always charge in a well-ventilated area.
- Always terminate all processes and contact Horizon Hobby if the product malfunctions.
- Charge only rechargeable batteries. Charging non-rechargeable batteries may cause the batteries to burst, resulting in injury to persons and/or damage to property.
- The socket-outlet shall be installed near the equipment and shall be easily accessible.

⚠ WARNING: Never leave charger unattended, exceed maximum charge rate, charge with non-approved batteries or charge batteries in the wrong mode. Failure to comply may result in excessive heat, fire and serious injury.

⚠ CAUTION: Always ensure the battery you are charging meets the specifications of this charger and that the charger settings are correct. Not doing so can result in excessive heat and other related product malfunctions, which can lead to user injury or property damage. Please contact Horizon Hobby or an authorized retailer with compatibility questions.

CHARGE THE VEHICLE BATTERY

Follow the manufacturer's directions for your charger to properly charge the vehicle battery.

⚠ CAUTION: Only use chargers designed to charge the chosen battery type. Using an incorrect charger or incorrect charger settings could cause the battery to catch fire or explode.

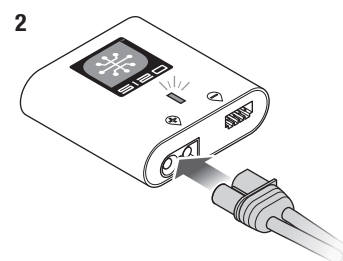
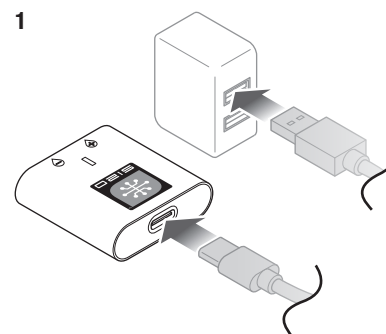
OPERATING THE INCLUDED S120 SMART CHARGER (AXI-3071 ONLY)

1. Connect the S120 charger to a USB power supply adapter.
 2. Connect the IC3 connector to the charge port on the S120 charger.
- TIP:** The battery can be disconnected from the charger at any time to stop the charging process.
3. Refer to the LED Indicator table for charger status.
 4. A red LED illuminates to indicate abnormal charging. Follow the operation steps to ensure proper connection is used to charge the battery.

IMPORTANT: Non-Smart batteries will cause the LED to illuminate red and the S120 will not recognize or charge the battery.

LED INDICATOR

Power On –	USB 5V/1A, 5V/2A: White LED	
No Battery Connected	USB Quick Charge 2.0/3.0: Blue LED	
LiPo 2S and 3S Spektrum Smart Battery	Battery Capacity	Purple LED
	Less Than 25%	Single Flash
	25% – 75%	Double Flash
	76% – 99%	Triple Flash
Charge Complete	Green LED (Solid)	
Firmware Update	Red-Green-Blue Flashing LED	
Error	Red LED (Solid)	



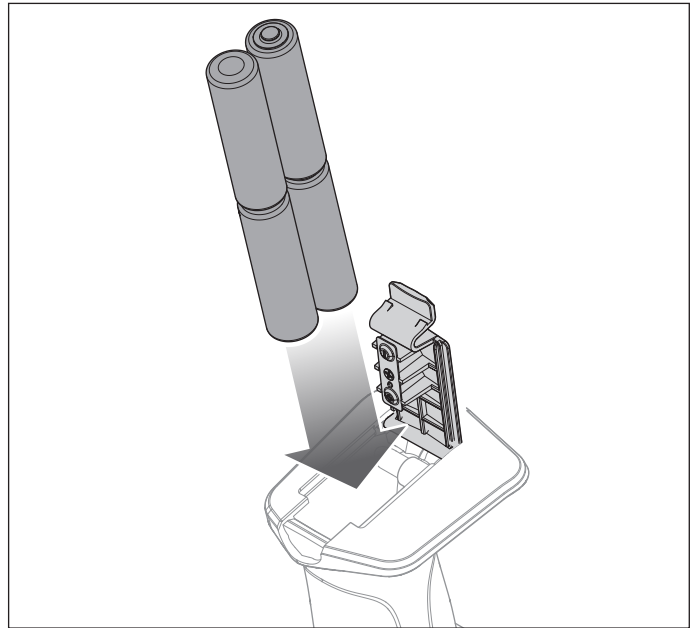
INSTALL THE TRANSMITTER BATTERIES

This transmitter requires 4 AA batteries.

1. Open the battery cover on the bottom of the transmitter.
2. Install the batteries as shown.
3. Close the battery cover.

CAUTION: NEVER remove the transmitter batteries while the model is powered on. Loss of model control, damage, or injury may occur.

CAUTION: If using rechargeable batteries, charge only rechargeable batteries. Charging non-rechargeable batteries may cause the batteries to burst, resulting in injury to persons and/or damage to property.



TRANSMITTER FUNCTIONS

A. Steering Wheel: Controls direction (left/right) of the model

B. Throttle Trigger: Controls speed and direction (forward/brake/reverse) of the model

C. Power Button: Turns the power on/off

D. Steering (ST-R) Servo Reversing: Reverses the steering channel

E. Throttle Limit: Limits throttle output to 50/75/100%.

Select 50% or 75% for less experienced drivers or when you are driving the vehicle in a small area

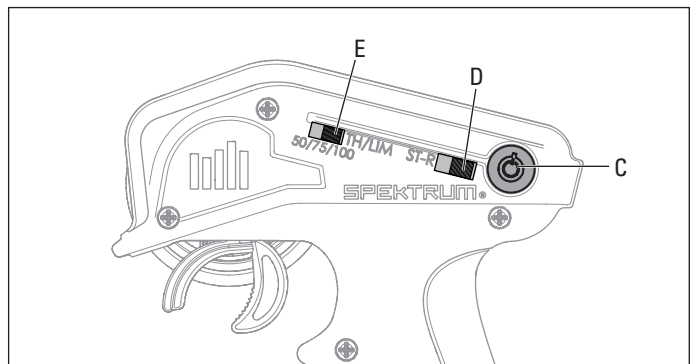
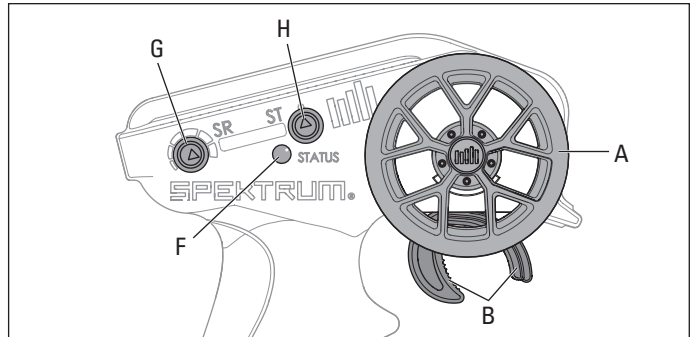
F. Indicator Lights:

Solid red light-Indicates radio connectivity and adequate battery power

Flashing red light-Indicates the battery voltage is critically low. Replace the batteries

G. Steering Rate: Adjusts the steering end points

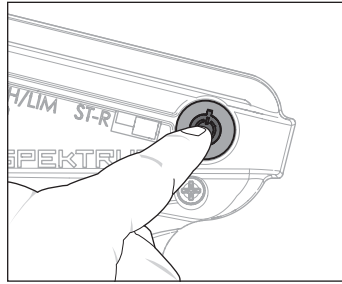
H. Steering Trim: Adjusts the steering center point



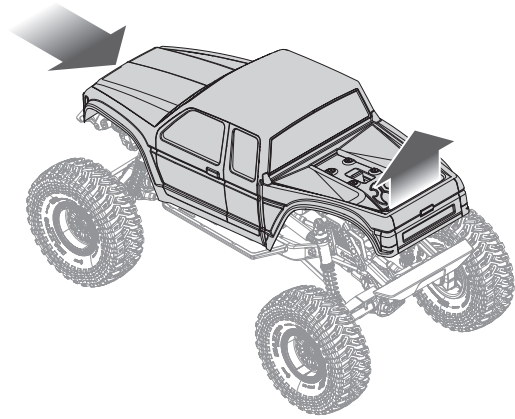
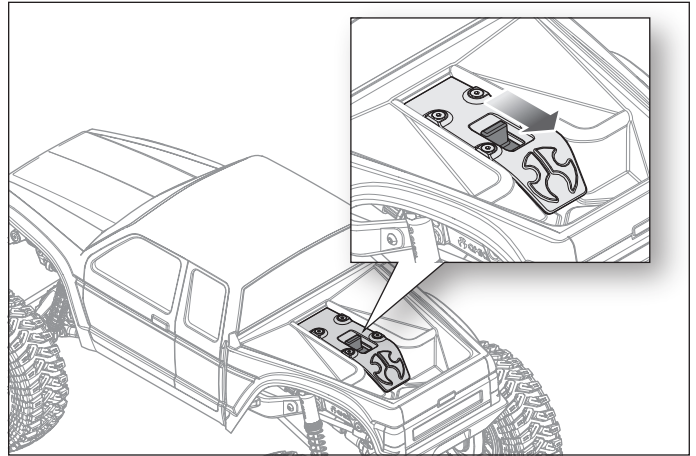
INSTALL THE VEHICLE BATTERY

1. Power on the transmitter.

NOTICE: Always power on the transmitter before powering on the vehicle.

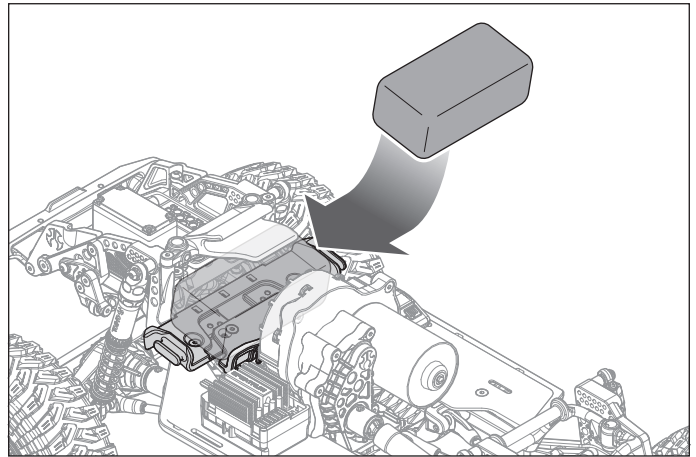


2. Push the body latch to the rear, and lift the rear of the body away from the chassis while pushing firmly on the front of the body to release the body from the front body clip.



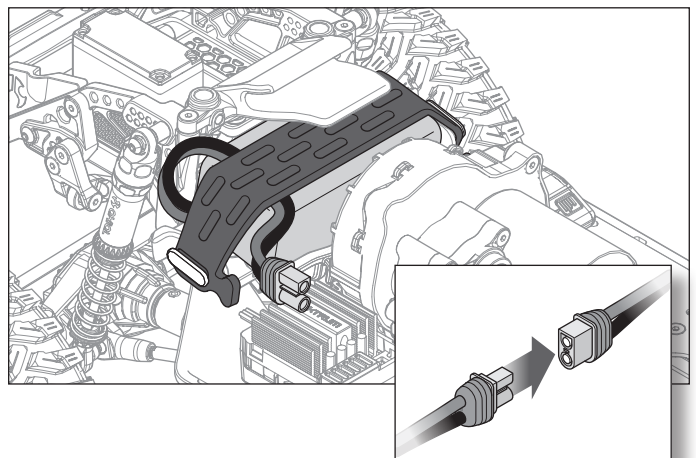
3. Install the recommended vehicle battery into the battery tray.

TIP: The width of the battery tray may be adjusted to better fit the selected battery. Use a hex driver to remove the two screws holding the center section of the tray. Reposition the center section to the desired width. Reinstall the screws.

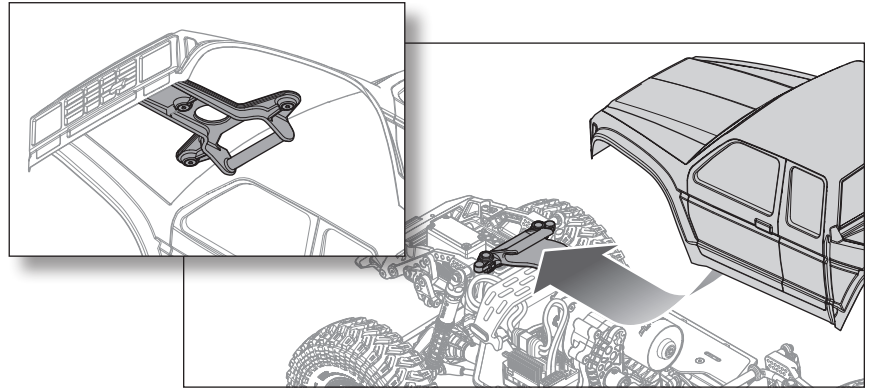


4. Pull the battery strap across the battery and secure it over the hook on the end of the tray.

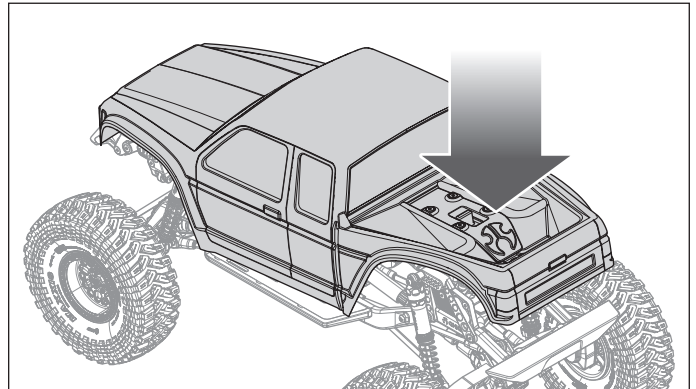
TIP: Keep the battery lead connection secure by capturing the battery lead under the battery strap.
5. Connect the battery power lead to the ESC connector, noting proper polarity.



6. Tilting the body slightly forward, fully insert the front body bar, located on the underside of the body, into the front body clip.



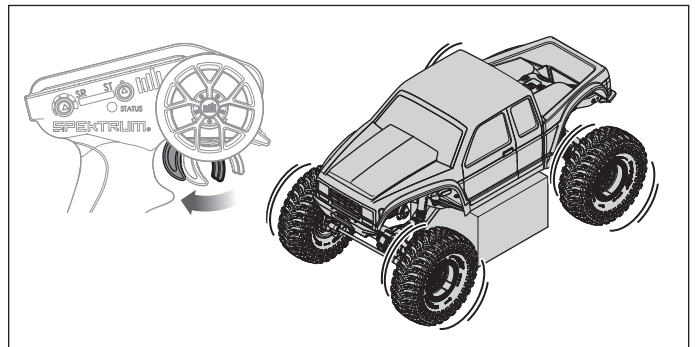
7. Push the rear of the body down over the chassis until the body latch locks.



CONTROL TEST

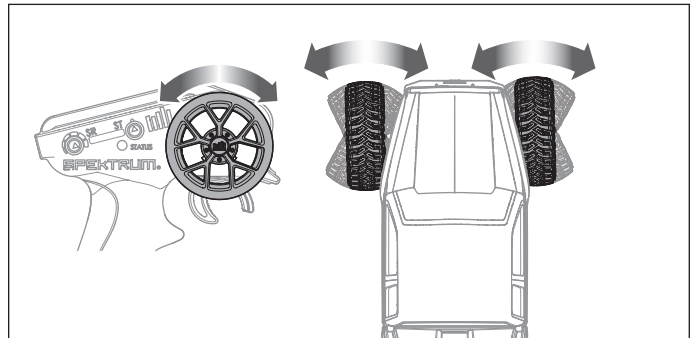
Perform a control test with the vehicle wheels off the ground.

- To make the wheels roll forward, pull the trigger. **IMPORTANT:** The standard transmission gearing gives the rear axle of the vehicle 'underdrive.' The rear wheels rotate slower than the front wheels.
- To reverse the wheels, wait for the wheels to stop, then push the trigger forward.
- If the wheels rotate after the vehicle is powered ON, adjust the TH TRIM knob until they don't rotate without throttle input.
- Turn the transmitter steering wheel left and right, checking the vehicle wheels turn the corresponding direction with the transmitter input.



Place the vehicle on the ground and slowly input throttle:

- When the vehicle is rolling forward, it should maintain a straight line without any steering input. If it does not, adjust the ST TRIM knob left or right until the vehicle maintains a straight line without having to correct with the steering wheel.



RANGE-CHECK THE RADIO SYSTEM

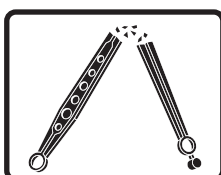
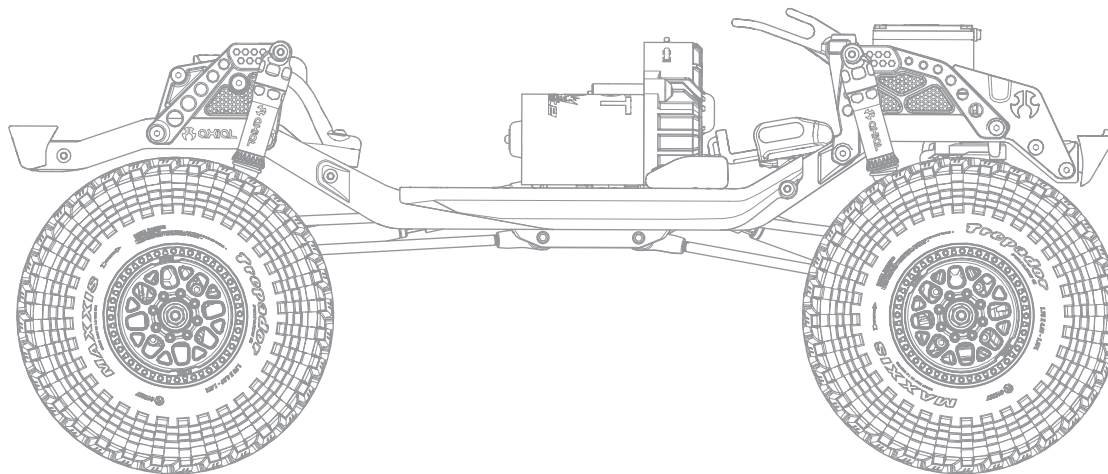
The radio system should be checked before operating the vehicle to ensure proper operation and adequate range.

1. Power on the transmitter.
2. Connect the vehicle battery and power on the vehicle.
3. Have a friend hold the vehicle while keeping hands and loose clothing away from moving parts.
4. Walk away until you are at the maximum planned operating distance from the vehicle.
5. Turn the steering wheel side to side and operate the throttle, both forward and reverse, checking for any erratic behavior.
6. If any erratic behavior is exhibited, DO NOT operate the vehicle. Call customer service for assistance.

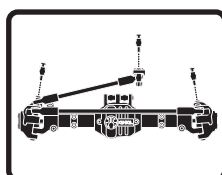


VEHICLE MAINTENANCE

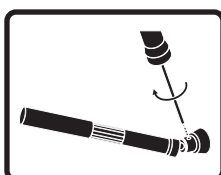
Just like a full size car or truck your RC vehicle must undergo periodic maintenance in order to ensure peak performance. Preventative maintenance will also help avoid needless breakages which could result in costly repairs. Below are some suggestions to properly maintain your vehicle.



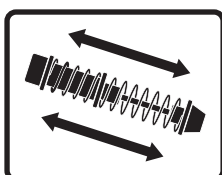
Replace any noticeably bent or broken parts



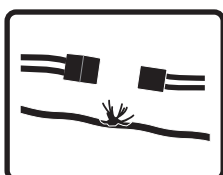
Check for wear on the ball joints in the steering and suspension links (replace if necessary)



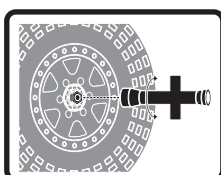
Check driveshaft set screws and apply thread locking compound if necessary



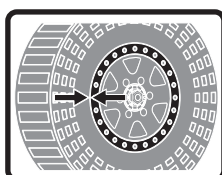
Inspect shock absorbers for smooth dampened operation



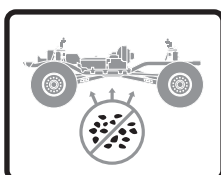
Check for any loose connections or frayed wiring



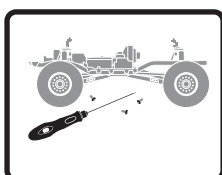
Check the wheel nuts for tightness



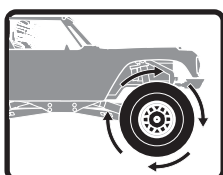
Ensure the wheel beads are still firmly bonded around the entire circumference of the rim



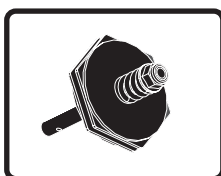
Clean the chassis of any dirt and debris



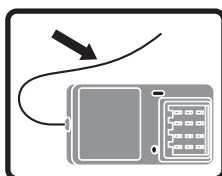
Check for loose screws on the chassis, especially the knuckle, C-hub and axle lockout screws



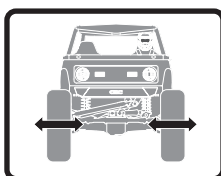
Check the driveline for smooth, bind free operation



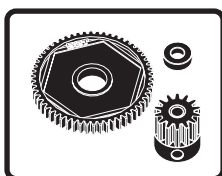
If applicable, check the slipper clutch for proper operation



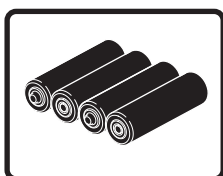
Check the receiver antenna for damage



Check the steering operation for any binding



Inspect the spur and pinion gears for damage



Replace the transmitter batteries when indicated by the transmitter, as described in the Transmitter Functions section

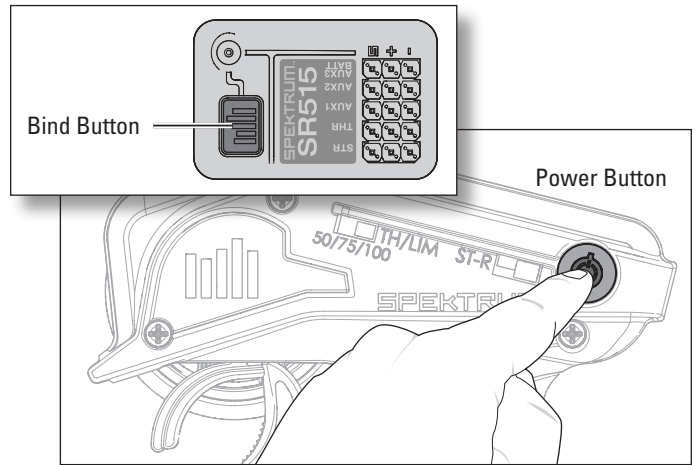
BINDING

Binding is the process of programming the receiver to recognize the GUID (Globally Unique Identifier) code of a single specific transmitter. The transmitter and receiver are bound at the factory. If you need to rebind, follow the instructions below.

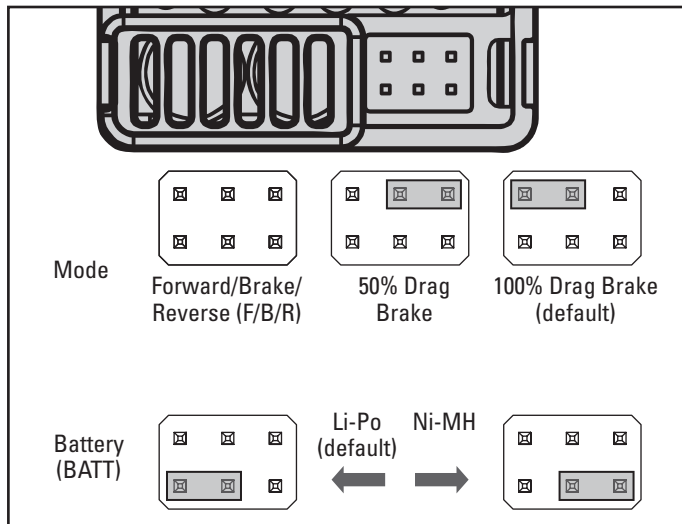
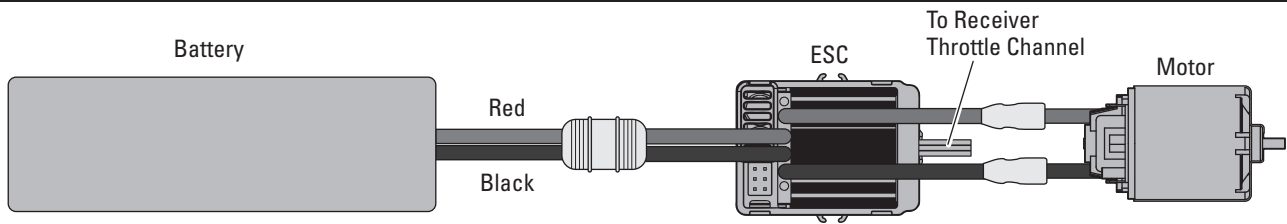
1. Power ON the receiver.
2. Press the bind button 3 times quickly (within 1.5 seconds of the first button press).
The LED flashes with a pause.
3. Set the trims and control positions at the desired failsafe settings, and power ON the SLT2 transmitter.
4. When the SLT2 transmitter LED and the receiver LED remain lit, binding is complete.

You must rebind when:

- Different failsafe positions are desired (e.g., when throttle or steering reversing has changed).
- Binding the receiver to a different transmitter.



FIRMA 40A BRUSHED ESC



SPECIFICATIONS	
Type	Brushed
Constant/Peak	40A/180A
Resistance	0.002 Ohms
Function	Forward/Brake/Reverse, Forward/Brake, Forward/Reverse (Crawler Mode)
Vehicle Type	1/10 on-road and off-road; 1/10 rock crawler
Operation	Proportional forward, proportional reverse with braking delay, Crawler Mode
Battery Type/Input Voltage	2-3 cell Li-Po/Li-Fe; 5-9 cell Ni-MH/Ni-Cd
Motor Type	2S Li-Po down to 12T; 3S Li-Po down to 18T
BEC Output	6V/3A
Dimensions	46.5mm x 34mm x 28.5mm (1.8 x 1.3 x 1.1 in)
Weight	70g (2.5 oz)
Battery Connector	IC3™ connector

SETUP

Throttle calibration should not be needed out of the box. However, in order to make the throttle range of different transmitters, the calibration of the ESC is necessary:

- Mount the ESC in an area that is well ventilated and isolated from vibration and shock.
- Connect the ESC motor wires to the motor red-to-red and black-to-black.
- Plug the receiver into the throttle channel of the receiver.
- Before plugging the battery into the ESC, make sure your transmitter is on and the throttle trim is set to zero.
- Connect the battery to the ESC. The vehicle will be powered on when the battery is connected.

CAUTION: Keep all body parts and loose clothing away from any moving parts while the battery is connected to the ESC.

CAUTION: Always connect the ESC only to a proper power source that has the correct voltage and polarity. Incorrect voltages or reversed polarity will damage the ESC. Damage to the ESC caused by improper voltage or polarity is not covered under warranty.

- Test forward and reverse control using the transmitter.

SOUND INDICATOR	
OPERATION	SOUND
Ni-MH/Ni-CD Battery	1 Short Beep
2S Li-Po Battery	2 Short Beeps
3S Li-Po Battery	3 Short Beeps
ESC Ready	1 Long Beep

TO CALIBRATE THE ESC:

- Power the transmitter on and set the throttle control to neutral.
- Connect the battery to the ESC and wait 3 seconds to let the ESC initiate a self-test and automatic throttle calibration.
- The ESC is ready to run when a long beep sound is emitted from the motor.
- Always disconnect the battery when the vehicle is not in use.

IMPORTANT: The LiPo cut-off is set to "ON" and the drag brake is set to 100% from the factory.

TROUBLESHOOTING

PROBLEM	POSSIBLE CAUSE	SOLUTION
The system will not connect	Your transmitter and receiver are too close together	Move transmitter 8 to 12 feet away from receiver
	You are near metal objects	Move to an area with less metal
	The receiver is bound to a different model memory	Make sure the correct model memory is active in your transmitter
	Your transmitter was placed into bind mode and is no longer bound to your receiver	Rebind your transmitter and receiver, and then re-calibrate
The receiver goes into failsafe a short distance away from the transmitter	Check for damage on the receiver antenna	Make sure your receiver antenna is protected and located as high as practical
		Replace the receiver or contact Horizon Product Support
The receiver stops responding during operation	Low receiver battery voltage. If the battery voltage is low, it may drop below 3.5V momentarily, causing the receiver to brown-out, then reconnect	Charge the receiver or vehicle battery. Spektrum receivers require at least 3.5V to operate
	Loose or damaged wires or connectors between battery and receiver	Check the wires and connection between the battery and receiver. Repair or replace wires and/or connectors
Vehicle does not move	Batteries are not installed properly in the transmitter	Ensure the transmitter batteries are properly installed
	Weak or no battery in the vehicle	Install a freshly charged vehicle battery
	Damaged motor	Replace the motor
	Frayed or broken wiring	Replace any damaged wiring
	ESC is shut down by heat protection circuit	Allow the ESC to cool down completely
Loss of vehicle control	Improper antenna placement	Ensure the transmitter antenna is not blocked and the receiver antenna is located properly
	Weak or no batteries in the transmitter or vehicle	Install a freshly charged vehicle battery and new transmitter batteries
	Neutral or trim position is incorrect	Adjust the steering trim
	Receiver and/or battery not connected properly	Check all receiver and battery connections
Steering and/or throttle function is reversed	Servo travel is reversed at the transmitter	Set the transmitter servo reversing switch to the correct position
	Motor wires are not connected properly	Check all motor wires for correct polarity and secure connection
ESC ON - No motor function, audible tone or LED	Battery/connection issue	Recharge/replace battery. Secure all connections
	Damaged ESC/switch	Repair/replace ESC switch/ESC
	Damaged motor	Repair/replace
Motor- Stops and LED blinks	Low voltage protection	When the ESC LED blinks, recharge/replace battery
	Overheat protection	When the LED blinks, let motor/ESC cool, change set up or gearing to avoid overheating
Motor- Accelerates irregularly	Battery issue	Repair damaged wiring/replace battery
	Incorrect gearing	Adjust/replace gearing
	Worn or damaged motor	Repair/replace motor
Motor- Does not turn continuously in response to throttle	ESC/motor damaged	Repair/replace wiring or motor/ESC
Motor- Slows but will not stop	Incorrect transmitter/ESC calibration	Adjust throttle travel/other throttle settings on the transmitter/ESC. Repeat the ESC Calibration Procedure
Steering servo- Operates; motor does not run	Damaged motor	Test the motor apart from the vehicle system, repair/replace motor as needed
	Incorrect transmitter/ESC calibration	Adjust throttle travel/other throttle settings on the transmitter/ESC. Repeat the ESC Calibration Procedure
Steering/motor- not functioning	Low battery voltage	Recharge/replace
	Wrong model memory selected on transmitter	Select correct model settings on your transmitter, refer to transmitter and/or receiver manual
	Receiver not bound to transmitter	Bind transmitter to receiver, refer to transmitter and/or receiver manual
Vehicle- Does not operate at full speed	Battery issue	Recharge/replace
	Incorrect transmitter/ESC calibration	Adjust throttle travel/other throttle settings on the transmitter/ESC. Repeat the ESC Calibration Procedure

LIMITED WARRANTY

What this Warranty Covers

Horizon Hobby, LLC, (Horizon) warrants to the original purchaser that the product purchased (the "Product") will be free from defects in materials and workmanship for a period of 2 years from the date of purchase.

What is Not Covered

This warranty is not transferable and does not cover (i) cosmetic damage, (ii) damage due to acts of God, accident, misuse, abuse, negligence, commercial use, or due to improper use, installation, operation or maintenance, (iii) modification of or to any part of the Product, (iv) attempted service by anyone other than a Horizon Hobby authorized service center, (v) Product not purchased from an authorized Horizon dealer, or (vi) Product not compliant with applicable technical regulations or (vii) use that violates any applicable laws, rules, or regulations.

OTHER THAN THE EXPRESS WARRANTY ABOVE, HORIZON MAKES NO OTHER WARRANTY OR REPRESENTATION, AND HEREBY DISCLAIMS ANY AND ALL IMPLIED WARRANTIES, INCLUDING, WITHOUT LIMITATION, THE IMPLIED WARRANTIES OF NON-INFRINGEMENT, MERCHANTABILITY AND FITNESS FOR A PARTICULAR PURPOSE. THE PURCHASER ACKNOWLEDGES THAT THEY ALONE HAVE DETERMINED THAT THE PRODUCT WILL SUITABLY MEET THE REQUIREMENTS OF THE PURCHASER'S INTENDED USE.

Purchaser's Remedy

Horizon's sole obligation and purchaser's sole and exclusive remedy shall be that Horizon will, at its option, either (i) service, or (ii) replace, any Product determined by Horizon to be defective. Horizon reserves the right to inspect any and all Product(s) involved in a warranty claim. Service or replacement decisions are at the sole discretion of Horizon. Proof of purchase is required for all warranty claims. SERVICE OR REPLACEMENT AS PROVIDED UNDER THIS WARRANTY IS THE PURCHASER'S SOLE AND EXCLUSIVE REMEDY.

Limitation of Liability

HORIZON SHALL NOT BE LIABLE FOR SPECIAL, INDIRECT, INCIDENTAL OR CONSEQUENTIAL DAMAGES, LOSS OF PROFITS OR PRODUCTION OR COMMERCIAL LOSS IN ANY WAY, REGARDLESS OF WHETHER SUCH CLAIM IS BASED IN CONTRACT, WARRANTY, TORT, NEGLIGENCE, STRICT LIABILITY OR ANY OTHER THEORY OF LIABILITY, EVEN IF HORIZON HAS BEEN ADVISED OF THE POSSIBILITY OF SUCH DAMAGES. Further, in no event shall the liability of Horizon exceed the individual price of the Product on which liability is asserted. As Horizon has no control over use, setup, final assembly, modification or misuse, no liability shall be assumed nor accepted for any resulting damage or injury. By the act of use, setup or assembly, the user accepts all resulting liability. If you as the purchaser or user are not prepared to accept the liability associated with the use of the Product, purchaser is advised to return the Product immediately in new and unused condition to the place of purchase.

Law

These terms are governed by Illinois law (without regard to conflict of law principals). This warranty gives you specific legal rights, and you may also have other rights which vary from state to state. Horizon reserves the right to change or modify this warranty at any time without notice.

WARRANTY SERVICES

Questions, Assistance, and Services

Your local hobby store and/or place of purchase cannot provide warranty support or service. Once assembly, setup or use of the Product has been started, you must contact your local distributor or Horizon directly. This will enable Horizon to better answer your questions and service you in the event that you may need any assistance. For questions

or assistance, please visit our website at www.horizonhobby.com, submit a Product Support Inquiry, or call the toll free telephone number referenced in the Warranty and Service Contact Information section to speak with a Product Support representative.

Inspection or Services

If this Product needs to be inspected or serviced and is compliant in the country you live and use the Product in, please use the Horizon Online Service Request submission process found on our website or call Horizon to obtain a Return Merchandise Authorization (RMA) number. Pack the Product securely using a shipping carton. Please note that original boxes may be included, but are not designed to withstand the rigors of shipping without additional protection. Ship via a carrier that provides tracking and insurance for lost or damaged parcels, as Horizon is not responsible for merchandise until it arrives and is accepted at our facility. An Online Service Request is available at http://www.horizonhobby.com/content/service-center_render-service-center. If you do not have internet access, please contact Horizon Product Support to obtain a RMA number along with instructions for submitting your product for service. When calling Horizon, you will be asked to provide your complete name, street address, email address and phone number where you can be reached during business hours. When sending product into Horizon, please include your RMA number, a list of the included items, and a brief summary of the problem. A copy of your original sales receipt must be included for warranty consideration. Be sure your name, address, and RMA number are clearly written on the outside of the shipping carton.

NOTICE: Do not ship Li-Po batteries to Horizon. If you have any issue with a Li-Po battery, please contact the appropriate Horizon Product Support office.

Warranty Requirements

For Warranty consideration, you must include your original sales receipt verifying the proof-of-purchase date. Provided warranty conditions have been met, your Product will be serviced or replaced free of charge. Service or replacement decisions are at the sole discretion of Horizon.

Non-Warranty Service

Should your service not be covered by warranty, service will be completed and payment will be required without notification or estimate of the expense unless the expense exceeds 50% of the retail purchase cost. By submitting the item for service you are agreeing to payment of the service without notification. Service estimates are available upon request. You must include this request with your item submitted for service. Non-warranty service estimates will be billed a minimum of 1/2 hour of labor. In addition you will be billed for return freight. Horizon accepts money orders and cashier's checks, as well as Visa, MasterCard, American Express, and Discover cards. By submitting any item to Horizon for service, you are agreeing to Horizon's Terms and Conditions found on our website http://www.horizonhobby.com/content/service-center_render-service-center.

ATTENTION: Horizon service is limited to Product compliant in the country of use and ownership. If received, a non-compliant Product will not be serviced. Further, the sender will be responsible for arranging return shipment of the un-serviced Product, through a carrier of the sender's choice and at the sender's expense. Horizon will hold non-compliant Product for a period of 60 days from notification, after which it will be discarded.

10/15

WARRANTY AND SERVICE CONTACT INFORMATION

COUNTRY OF PURCHASE	HORIZON HOBBY	CONTACT INFORMATION	ADDRESS
United States of America	Horizon Service Center (Repairs and Repair Requests)	servicecenter.horizonhobby.com/RequestForm/	2904 Research Rd Champaign, IL 61822
	Horizon Product Support (Product Technical Assistance)	productsupport@horizonhobby.com 877-504-0233	
	Sales	websales@horizonhobby.com 800-338-4639	
European Union	Horizon Technischer Service	service@horizonhobby.eu	Hanskampring 9 D 22885 Barsbüttel, Germany
	Sales: Horizon Hobby GmbH	+49 (0) 4121 2655 100	

FCC INFORMATION

Contains FCC ID: **BRWSPMSLT200F**
BRWSRIRVINGV1

This equipment complies with FCC and IC radiation exposure limits set forth for an uncontrolled environment. This equipment should be installed and operated with minimum distance 20cm between the radiator and/or antenna and your body (excluding fingers, hands, wrists, ankles and feet). This transmitter must not be co-located or operating in conjunction with any other antenna or transmitter.

SUPPLIER'S DECLARATION OF CONFORMITY

Axial SCX10 III Coyote 4WD Rock Crawler RTR (AXI-3071)
Axial SCX10 III Coyote 4WD Rock Crawler RTR Basic (AXI-2036)

FCC This device complies with part 15 of the FCC Rules. Operation is subject to the following two conditions: (1) This device may not cause harmful interference, and (2) this device must accept any interference received, including interference that may cause undesired operation.

CAUTION: changes or modifications not expressly approved by the party responsible for compliance could void the user's authority to operate the equipment.

NOTE: This equipment has been tested and found to comply with the limits for a Class B digital device, pursuant to part 15 of the FCC Rules. These limits are designed to provide reasonable protection against

harmful interference in a residential installation. This equipment generates, uses and can radiate radio frequency energy and, if not installed and used in accordance with the instructions, may cause harmful interference to radio communications. However, there is no guarantee that interference will not occur in a particular installation. If this equipment does cause harmful interference to radio or television reception, which can be determined by turning the equipment off and on, the user is encouraged to try to correct the interference by one or more of the following measures:

- Reorient or relocate the receiving antenna.
- Increase the separation between the equipment and receiver.
- Connect the equipment into an outlet on a circuit different from that to which the receiver is connected.
- Consult the dealer or an experienced radio/TV technician for help.

Horizon Hobby, LLC
2904 Research Rd.,
Champaign, IL 61822
Email: compliance@horizonhobby.com
Web: HorizonHobby.com

IC INFORMATION

CAN ICES-3 (B)/NMB-3(B)
IC: 6157A-SPMSLT200F
6157A-SRIRVINGV

This device complies with Industry Canada licence-exempt RSS standard(s). Operation is subject to the following two conditions:

(1) this device may not cause interference, and (2) this device must accept any interference, including interference that may cause undesired operation of the device.

COMPLIANCE INFORMATION FOR THE EUROPEAN UNION

CE EU COMPLIANCE STATEMENT:

Axial SCX10 III Coyote 4WD Rock Crawler RTR Basic (AXI-2036): Hereby, Horizon Hobby, LLC declares that the device is in compliance with the following: Radio Equipment Directive (RED) 2014/53/EU; RoHS 2 Directive 2011/65/EU; RoHS 3 Directive - Amending 2011/65/EU Annex II 2015/863.

Axial SCX10 III Coyote 4WD Rock Crawler RTR (AXI-3071): Hereby, Horizon Hobby, LLC declares that the device is in compliance with the following: Radio Equipment Directive (RED) 2014/53/EU; Low Voltage Directive (LVD) 2014/35/EU; 2014/30/EU EMC Directive; RoHS 2 Directive 2011/65/EU; RoHS 3 Directive - Amending 2011/65/EU Annex II 2015/863.

NOTE: This product contains batteries that are covered under the 2006/66/EC European Directive, which cannot be disposed of with normal household waste. Please follow local regulations.

Wireless Frequency Range and Wireless Output Power

Transmitter
2410MHz - 2480MHz
13.66 dBm

Receiver
2404-2476MHz
-1.33dBm

EU Manufacturer of Record:

Horizon Hobby, LLC
2904 Research Road
Champaign, IL 61822 USA

EU Importer of Record:

Horizon Hobby, GmbH
Hanskampring 9
22885 Barsbüttel Germany

WEEE NOTICE:

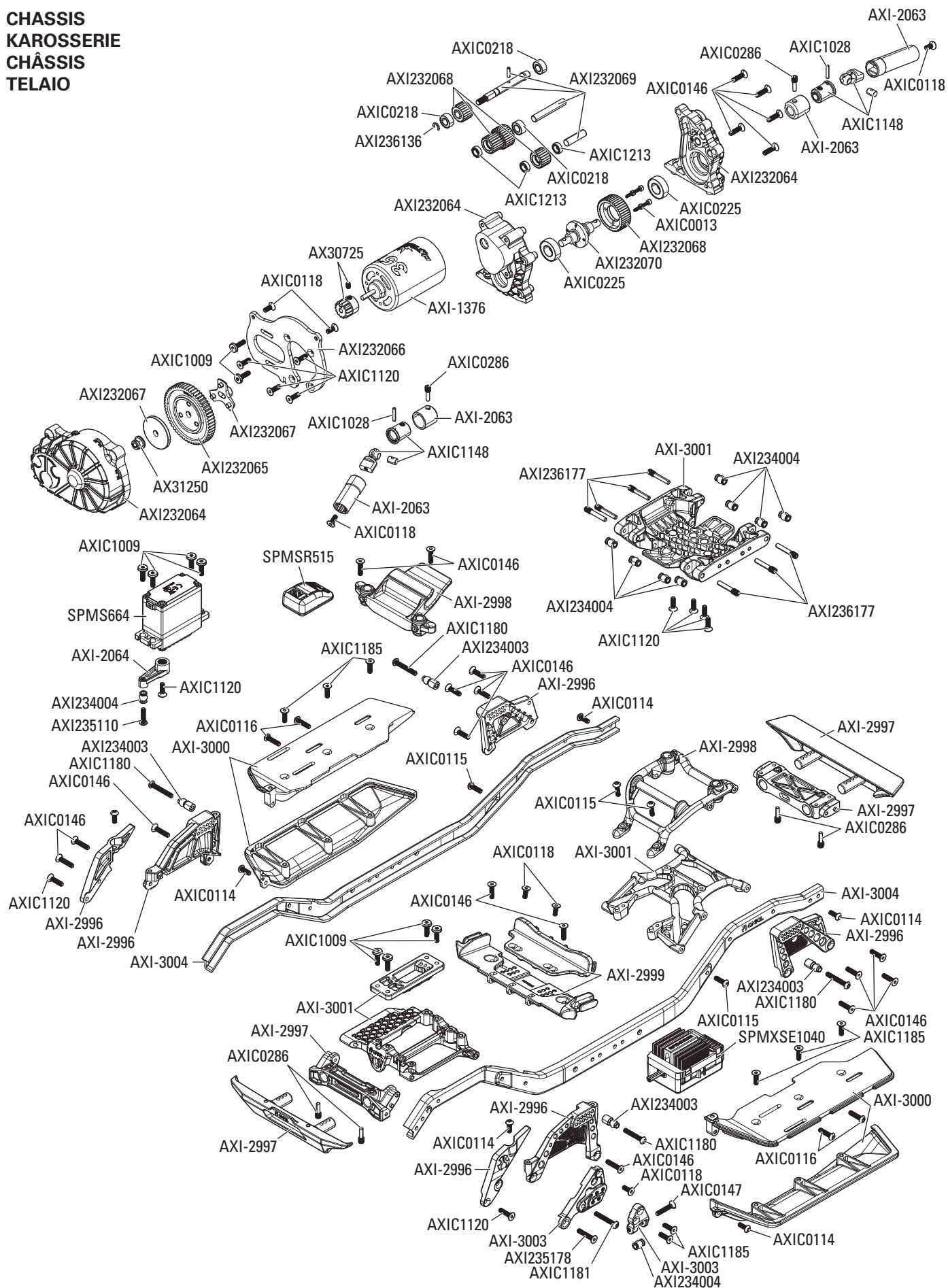


This appliance is labeled in accordance with European Directive 2012/19/EU concerning waste of electrical and electronic equipment (WEEE). This label indicates that this product should not be disposed of with household waste. It should be deposited at an appropriate facility to enable recovery and recycling.



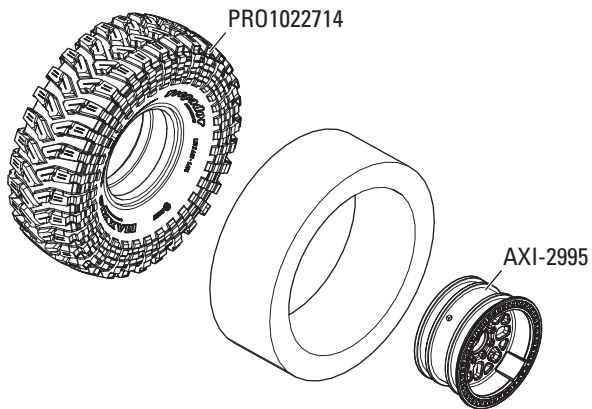
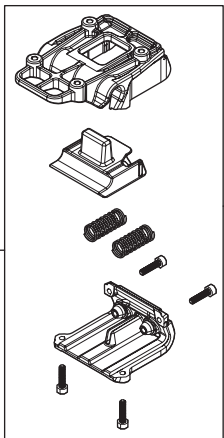
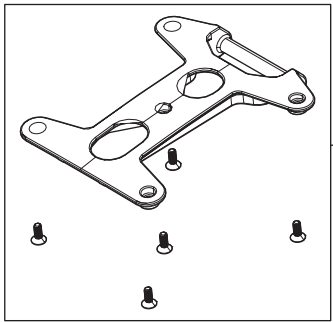
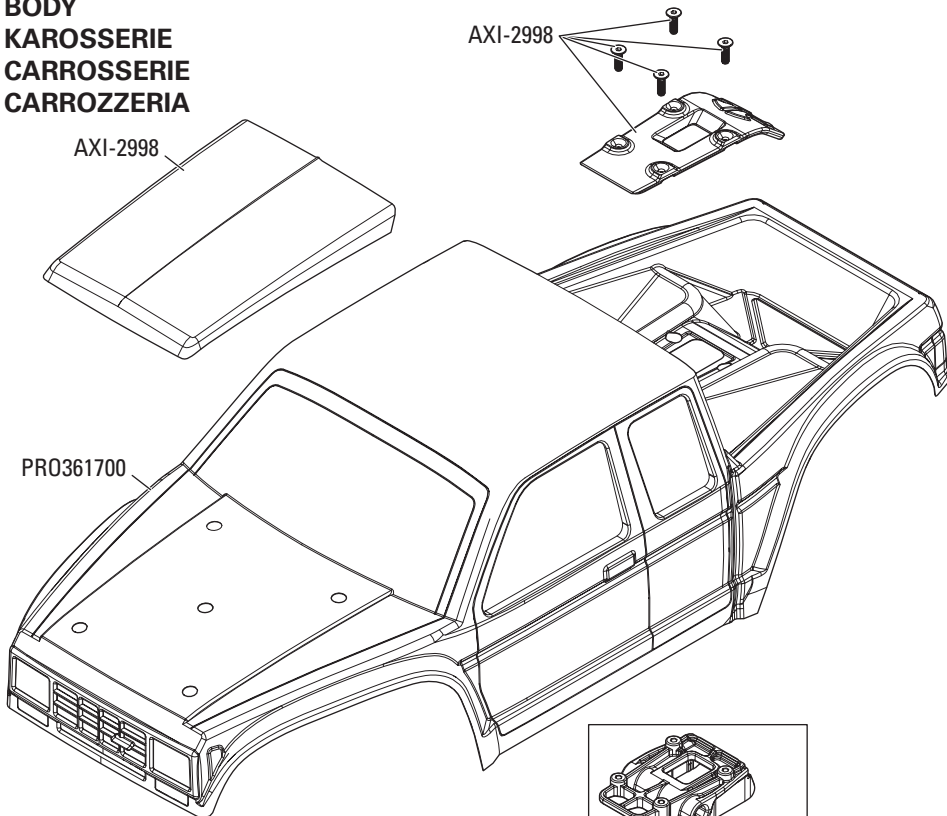
EXPLODED VIEWS // EXPLOSIONSZEICHNUNGEN // VUES ÉCLATÉES // VISTE ESPLOSE

**CHASSIS
KAROSSERIE
CHÂSSIS
TELAIO**

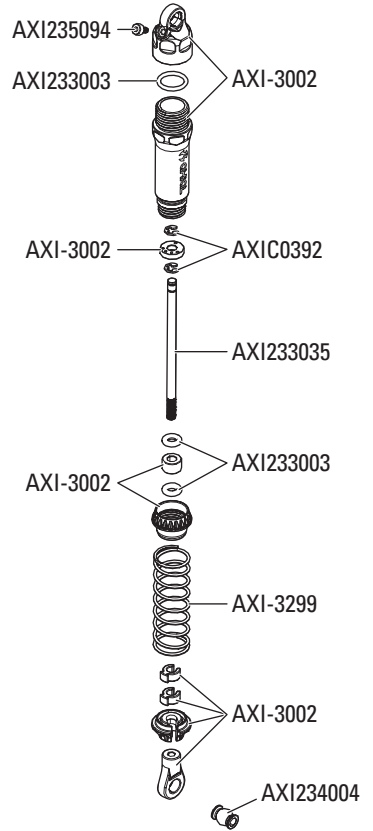


EXPLODED VIEWS // EXPLOSIONSZEICHNUNGEN // VUES ÉCLATÉES // VISTE ESPLOSE

**BODY
KAROSSERIE
CARROSSERIE
CARROZZERIA**



**SHOCK ABSORBERS
STOSSDÄMPFER
AMORTISSEURS
AMMORTIZZATORI**



PARTS LISTS // TEILELISTEN // LISTE DES PIÈCES // ELENCO COMPONENTI

Part #	Description	Beschreibung	Description	Descrizione
AXI-1376	35-Turn 540 Brushed Motor	540-Bürstenmotor mit 35 Turns	Moteur à balais 35-Turn 540	Motore a spazzole 35T 540
AXI-2063	WB8-HD Driveshaft Set: SCX10 III Base Camp	WB8-HD-Antriebswellensatz: SCX10 III Base Camp	Ensemble d'arbre de transmission WB8-HD : SCX10 III Base Camp	Set albero trasmissione WB8-HD: SCX10 III Base Camp
AXI-2064	Servo Horn Metal, 25T: SCX10 III	Servo-Horn, Metall 25T: SCX10 III	Renvoi de commande de servo, métallique, 25T : SCX10 III	Squadretta servo metallo, 25T: SCX10 III
AXI-2065	HD Rod Ends M4 (20): Capra 1.9 UTB	HD Stangenkopf M4 (20): Capra 1,9 UTB	Embouts de bielle HD M4 (20) : Capra 1,9 UTB	Teste snodo HD M4 (20): Capra 1.9 UTB
AXI-2995	1.9" KMC Grenade Wheels (2)	1.9 KMC Grenade-Räder (2):	Roues Grenade 4,5 cm (1,9 po) KMC (2)	Ruote 1.9 KMC Grenade (2)
AXI-2996	Shock Towers & Panhard Mounts, FR/RR: SCX10 III HP	Stoßdämpferbrücke und Panhard-Halterungen, FR/RR: SCX10 III HP	Tours d'amortisseurs et montages Panhard, avant/arrière : SCX10 III HP	Torri ammortizzatori e supporti Panhard, anteriore/posteriore: SCX10 III HP
AXI-2997	Bumper Set Front, Rear HP: SCX10 III	Stoßstangensatz Front/Heck HP: SCX10 III	Ensemble de pare-chocs avant, arrière HP : SCX10 III	Kit paraurti ant./post. HP: SCX10 III
AXI-2998	Body Mounts, Clipless: Coyote SCX10 III	Gehäusehalterungen, ohne Clip Coyote SCX10 III	Supports de carrosserie, sans attache : Coyote SCX10 III	Supporti per carrozzeria, senza clip: Coyote SCX10 III
AXI-2999	Adjustable Battery Tray Set: SCX10 III HP	Einstellbarer Akkufach-Satz: SCX10 III HP	Ensemble de batterie standard ajustable : SCX10 III HP	Set vassoio batteria regolabile: SCX10 III HP
AXI-3000	Boat Side Slider Left, Right HP: SCX10 III	Bootseitiger Schieberegler, links, rechts HP: SCX10 III	Curseur latéral pour bateau gauche, droite HP : SCX10 III	Cursore laterale della barca Sinistro, Destro HP: SCX10 III
AXI-3001	Servo Mount, Skid, Cross Members: SCX10 III HP	Servo-Halterung, Kufe, Querträger: SCX10 III HP	Support de servo, patin, traverses : SCX10 III HP	Supporto servo, pattino, traverse: SCX10 III HP
AXI-3002	Molded Shock Replacement Parts: SCX10 III HP	Stoßdämpferteile, Ersatzteile: SCX10 III HP	Pièces de remplacement d'amortisseur moulées : SCX10 III HP	Parti di ricambio per ammortizzatori stampati: SCX10 III HP
AXI-3003	Adjustable Pan Hard Mount: SCX10 III	Verstellbare Panhard-Halterungen, SCX10 III	Montage Panhard réglable : SCX10 III	Supporto Panhard regolabile: SCX10 III
AXI-3004	One Piece Frame Rail Set: SCX10 III	Einteiliger Rahmenschienensatz: SCX10 III	Ensemble de rails de cadre en une pièce : SCX10 III	Set longeroni telaio in un unico pezzo: SCX10 III
AXI-3005	Front Suspension Link Set: SCX10 III HP	Vorderer Querlenker-Verbindungssatz: SCX10 III HP	Ensemble de tringlerie de suspension avant : SCX10 III HP	Set braccetti sospensioni anteriori SCX10 III HP
AXI-3006	Rear Suspension Link Set: SCX10 III HP	Hinterer Querlenker-Verbindungssatz: SCX10 III HP	Ensemble de tringlerie de suspension arrière: SCX10 III HP	Set braccetti sosp posteriori: SCX10 III HP
AXI-3007	AR45 Differential Cover: SCX10 III	AR45 Differenzialgehäuse: SCX10 III	Couvercle de différentiel AR45 : SCX10 III	Carter differenziale AR45: SCX10 III
AXI-3012	6-Bolt 27 8 Heavy Duty Over Drive Gear Set	6 Schrauben 27 8 robuster Overdrive-Zahnradatz	Ensemble d'engrenages de surmultiplicateur haute résistance 27/8 à 6 boulons	Set di ingranaggi overdrive per impieghi gravosi 27/8 a 6 bulloni
AXI230048	Body Post Set: SCX10 III BC	Gehäusestangensatz: SCX10 III BC	Ensemble poteaux carrosserie : SCX10 III BC	Kit supporti scocca: SCX10 III BC
AXI231021	Upper Shock Tower Braces: SCX10 III	Obere Stoßdämpferbrücke Halterungen: SCX10 III	Supports de tour d'amortisseur supérieurs : SCX10 III	Supporti superiori della torre ammortizzatrice: SCX10 III
AXI232002	AR44 6-Bolt Differential Locker	AR44 6-Schrauben-Differenzial-Sicherung	Blocage différentiel à 6 boulons AR44	Blocco differenziale 6 bulloni AR44
AXI232003	6 Bolt Heavy Duty Gear Set	6-Schrauben-Schwerlast-Zahnradatz	Ensemble d'engrenages haute résistance à 6 boulons	Set ingranaggio impieghi gravosi 6 bulloni
AXI232006	Currie F9 Portal Steering Knuckle Caps: Capra 1.9	Currie F9 Portal-Achsschenkel und -abdeckung: Capra 1.9	Rotule de direction et coiffe du portique Currie F9 : Capra 1,9	Currie F9 Portal, tappi fuso a snodo: Capra 1.9
AXI232007	32P Portal Gear Set, 23T/12T (2 pieces each)	32P Portalachssatz, 23T/12T (jeweils 2 Stck)	Ensemble d'engrenages de portique 32P 23T/12T (2 pièces chacun)	Set ingranaggi Portal 32P, 23T/12T (2 pezzi ciascuno)
AXI232008	Portal Stub Axle (2): Capra 1.9 UTB	Portalachsschenkel (2): Capra 1,9 UTB	Demi-essieu de portique (2) : Capra 1,9 UTB	Fusello Portal (2): Capra 1.9 UTB
AXI232018	12mm Hex Screw Shaft & Spacer (4): Capra 1.9 UTB	12-mm-Gewindeschäft und Abstandhalter (4): Capra 1,9 UTB	Tige de vis hexagonale 12 mm et entretoise (4) : Capra 1,9 UTB	Distanziale e perno esagonale 12 mm (4): Capra 1.9 UTB
AXI232022	AR45P Portal Axle Housing, Front: SCX10 III	AR45P-Portalachsgehäuse, vorne: SCX10 III	Carter d'essieu du portique AR45P, avant : SCX10 III	AR45P Portal alloggiamento assale, anteriore: SCX10 III
AXI232023	AR45P Portal Axle Housing, Rear: SCX10 III	AR45P-Portalachsgehäuse, hinten: SCX10 III	Carter d'essieu du portique AR45P, arrière : SCX10 III	AR45P Portal alloggiamento assale, posteriore: SCX10 III
AXI232027	AR45P Universal Axle Set (2): SCX10 III	AR45P Universalachsensatz (2): SCX10 III	Ensemble essieu universel AR45P (2) : SCX10 III	Set assale universale F9 (2) AR45P: SCX10 III

Part #	Description	Beschreibung	Description	Descrizione
AXI232028	AR45P Straight Axle Shaft (2): SCX10 III	AR45P Gerade Achswelle (2): SCX10 III	Arbre d'essieu droit AR45P (2) : SCX10 III	Set assale dritto (2) AR45P: SCX10 III
AXI232064	Gear Cover & Transmission Housings: LCXU	Fahrwerkabdeckung und Getriebegehäuse: LCXU	Cache d'engrenage et boîtes de transmission : LCXU	Carter e coperchio trasmissione: LCXU
AXI232066	Motor Plate: LCXU	Motorplatte: LCXU	Plaque moteur : LCXU	Piastra motore: LCXU
AXI232067	Slipper Eliminator Hub & Plate: LCXU	Gleiter-Eliminator-Nabe und -Platten: LCXU	Moyeu et plaque de sabot éliminateur : LCXU	Mozzo e piastre eliminazione slittamento: LCXU
AXI232068	Transmission Metal Gear Set: LCXU	Metallgetriebesatz: LCXU	Ensemble de boîtes de transmission métalliques : LCXU	Set ingranaggi trasmissione in metallo: LCXU
AXI232069	Transmission Shaft Set: LCXU	Getriebewellensatz: LCXU	Ensemble arbre de transmission : LCXU	Set albero trasmissione: LCXU
AXI232070	Transmission Center Output Shaft: LCXU	Getriebe-Mittelantriebswelle: LCXU	Arbre de sortie de transmission centrale : LCXU	Albero uscita trasmissione centrale: LCXU
AXI233003	Shock O-Ring Set: Capra 1.9 UTB, SCX10III BaseCamp	O-Ring-Satz für den Stoßdämpfer: Capra 1.9 UTB, SCX10III BaseCamp	Ensemble de joints toriques d'amortisseur : Capra 1,9 UTB, SCX10III BaseCamp	Set O-Ring ammortizzatori: Capra 1.9 UTB, SCX10III BaseCamp
AXI234003	PivotBall,StainlessSteel12.75mm(4):Capra1.9UTB,BC	Schwenkkugel,Edelstahl12,75mm(4):Capra1.9UTB,BC	Rotule, acier inoxydable 12,75 mm (4) : Capra 1,9 UTB, BC	PivotBall, acciaio inossidabile 12,75 mm (4): Capra 1,9 UTB, BC
AXI234004	Susp Pivot Ball, Stainless Steel 7.5mm (10pc)	Schwenkkugel, Edelstahl 7,5mm (10Stck)	Rotule de suspension, acier inoxydable 7,5 mm (10 pièces)	Sfera perno sospensione, acciaio inossidabile 7,5 mm (10 pz)
AXI235014	M2.5 x 10mm Cap Head Screw (10)	M2,5 x 10 mm, Inbusschraube (10)	Vis d'assemblage creuse, M2,5 x 10 mm (10)	Viti testa cilindrica M2.5x10 mm (10)
AXI235109	M3 x 14mm Button Head Screw (10)	Rundkopfschraube, M3x14mm (10)	Vis à tête bombée, M3x14mm (10)	Vite a testa tonda M3x14mm (10)
AXI235110	M3 x 16mm Button Head Screw (10)	Rundkopfschraube, M3x16mm (10)	Vis à tête bombée, M3x16mm (10)	Vite a testa tonda M3x16mm (10)
AXI235178	M3 x 14mm Flat Head Screw (10)	M3 x 14 mm, Flachkopfschraube (10)	Vis à tête plate M3 x 14 mm (10)	Viti testa piatta M3x14 mm (10)
AXI235230	M2.5 x 18mm Cap Head Screws (10)	M2,5 x 18 mm, Inbusschrauben (10)	Vis d'assemblage creuse, M2,5 x 18 mm (10)	Viti testa cilindrica M2,5x18 mm (10)
AXI236136	C-Clip, 5mm (10)	C-Clips, 5 mm (10)	Clip en C, 5 mm (10)	C-clip, 5 mm (10)
AXI236172	Screw Shaft M3x2.0x12mm	Schraubenschaft M3 x 2,0 x 12 mm	Tige de vis M3 x 2 x 12 mm	Albero filettato M3x2x12mm
AXI237009	5x13x4mm Ball Bearing (2)	5x13x4mm Kugellager (2)	Roulement 5x13x4mm (2)	Cuscinetti 5x13x4mm (2)
AXIC0012	Hex Socket Button Head M3x25mm Black (10)	Sechskant-Rundkopfschraube M3x25mm	Douille à six pans à tête bombée M3x25mm	Vite a testa tonda con esagono incassato M3x25mm
AXIC0114	Hex Socket Button Head 3x8mm (10)	Sechskant-Rundkopfschraube M3x8mm	Douille à six pans à tête bombée M3x8mm	Vite a testa tonda con esagono incassato M3x8mm
AXIC0115	Hex Socket Button Head M3x10mm Black (10)	Sechskant-Rundkopfschraube M3x10mm	Douille à six pans à tête bombée M3x10mm	Vite a testa tonda con esagono incassato M3x10mm
AXIC0116	Hex Socket Button Head M3x12mm Black (10)	Sechskant-Rundkopfschraube M3x12mm	Douille à six pans à tête bombée M3x12mm	Vite a testa tonda con esagono incassato M3x12mm
AXIC0118	Hex Flat Head M3X8mm Black (10)	Sechskant-Flachkopf M3 x 8 mm Schwarz (10)	Douille à six pans à tête plate M3 x 8 mm, noire (10)	Viti testa piatta es. M3x8 mm nero (10)
AXIC0146	Hex Socket Flat Head M3x12mm Black (10)	Sechskant-Flachkopfschraube, M3x12mm	Douille à six pans à tête plate M3x12mm	Vite a testa piana con esagono incassato M3x12mm
AXIC0147	Hex Socket Flat Head M3x16mm, Black (10)	M3 x 16 mm Sechskant-Flachkopf, Schwarz (10)	Douille à six pans à tête plate M3 x 16 mm, noire (10)	Viti testa piatta es. inc. M3x16 mm nero (10)
AXIC0181	AXA0181 Set Screw M3x4mm Black (10)	AXA0181 Feststellschraubew M3x4mm Black (10)	Vis de fixation M3 x 4 mm noire AXA0181 (10)	AXA0181 Vite di fissaggio M3x4mm Nero (10)
AXIC0218	Bearing 5x10x4mm (2)	Lager 5x10x4mm	Roulement 5x10x4mm	Cuscinetto 5x10x4mm
AXIC0221	Bearing 5x11x4mm (2)	Lager 5x11x4mm	Roulement 5x11x4mm	Cuscinetto 5x11x4mm
AXIC0225	Bearing 8x16x5mm	Lager 8 x 16 x 5 mm	Roulement 8 x 16 x 5 mm	Cuscinetto 8x16x5 mm
AXIC0230	Bearing 10x15x4mm	Lager 10x15x4mm	Roulement 10x15x4mm	Cuscinetto 10x15x4mm
AXIC0286	Screw Shaft M4x2.5x12mm (6)	Schraubenschaft M4 x 2,5 x 12 mm (6)	Tige de vis M4 x 2,5 x 12 mm (6)	Albero filettato M4x2.5x12 mm (6)
AXIC0392	AXA1392 E-Clip E2 (10)	AXA1392 E-Clip E2 (10)	Attache en E E2 AXA1392 (10)	AXA1392 E-Clip E2 (10)
AXIC0725	Pinion Gear 32P 14T Steel 3mm Motor Shaft	Zahnradgetriebe 32P 14T Stahl 3mm Motorwelle	Arbre de moteur à engrenages à pignons en acier 32P 14T de 3 mm	Pignone 32P 14T acciaio 3mm albero motore
AXIC1009	Hex Socket Oversize Head 3x10mm (10)	M3 x 10 mm Übergroße-Flachkopf (10)	Tête surdimensionnée creuse hexagonale 3 x 10 mm (10)	Vite con testa esagonale maggiorata 3x10 mm (10 pezzi)
AXIC1028	Pin 2.0x11mm (6)	Stift 2,0x11mm (6)	Goupille 2,0 x 11 mm (6)	Perno 2,0x11 mm (6)

Part #	Description	Beschreibung	Description	Descrizione
AXIC1045	AXA1045 Nylon Locknut M4 Black (10)	M4 Sicherungsmuttern (10)	Contre-écrous M4 (10)	Dadi M4 (10)
AXIC1146	AX31146 Hex Sckt Button Hd Screw M2x4mm Black (10)	AX31146 Sechskant-Rundkopfschrauben, M2x4mm Schwarz (10)	Vis à tête bombée creuse hexagonale, M2 x 4 mm noire AX31146 (10)	AX31146 Vite a testa esagonale con testa a bottone M2x4mm nera (10)
AXIC1148	AX31148 WB8-HD Driveshaft Coupler Set Yeti	AX31148 WB8-HD-Antriebswellenkupplungssatz Yeti	Ensemble de couplage d'arbre de transmission Yeti WB8-HD AX31148	AX31148 set accoppiamento albero trasmissione WB8-HD Yeti
AXIC1180	Hex Socket Button Head M3x18mm (10)	Sechskant-Rundkopfschraube M3 x 18 mm (10)	Douille à six pans à tête bombée M3 x 18 mm (10)	Viti testa tonda es. inc. M3x18 mm (10)
AXIC1181	Hex Socket Button Head M3x20mm (10)	Sechskant-Rundkopfschraube M3 x 20 mm (10)	Douille à six pans à tête bombée M3 x 20 mm (10)	Viti testa tonda es. inc. M3x20 mm (10)
AXIC1213	Bearing 5x8x2.5mm (2)	Lager 5 x 8 x 2,5 mm (2)	Roulement 5 x 8 x 2,5 mm (2)	Cuscinetto 5x8x2,5mm (2)
AXIC3066	Cap Head M2x8mm Black (10)	Inbusschraube M2x8mm, schwarz (10)	Vis d'assemblage creuse M2x8mm noire (10)	Vite a testa cilindrica M2x8mm nero (10)
AXIC3165	Pin 2.5x12mm (6)	Stift 2,5 x 12 mm (6)	Axe M2,5 x 12 mm (6)	Perno 2,5x12 mm (6)
AXIC4403	M3x4x10mm Hex Button Head Shoulder Screw (6)	M3x4x10mm Sechskant-Pass-Schulerschraube (6)	Vis à épaulement à six pans creuse à tête bombée M3 x 4 x 10 mm (6)	Vite a testa bombata esagonale M3x4x10mm (6)
AXIC4406	Bearing 7x14x3.5mm (2)	Lager 7 x 14 x 3,5 mm (2)	Roulement 7 x 14 x 3,5 mm (2)	Cuscinetto 7x14x3,5 mm (2)
AXIC4407	Bearing 5x14x5mm (2)	Lager 5 x 14 x 5 mm (2)	Roulement 5 x 14 x 5 mm (2)	Cuscinetto 5x14x5 mm (2)
PRO361700	1/10 Coyote HP Clr Body 12.3 Wheelbase Crawlers	1/10 Coyote HP Clr Gehäuse 12.3 Radstand Crawlers	Carrosserie transparente HP Coyote 1/10 pour crawlers à empattement de 12,3 po	Crawler Coyote HP Clr 1/10 con carrozzeria e passo 12.3
SPMRSLT270	SLT2 2CH 2.4Ghz Transmitter Only	SLT2 2CH 2.4Ghz Nur Sender	Émetteur 2,4 GHz 2 canaux SLT2 uniquement	SLT2 2 CH 2,4 Ghz SLT solo trasmettente
SPMSR515	SR515 DSMR 5 CH Receiver	SR515 DSMR 5-Kanal-Empfänger	Récepteur 5 canaux SR515 DSMR	SR515 DSMR Ricevitore a 5 canali
SPMXSE1040	Firma 40A Brushed WP ESC : IC3	Firma 40 A Bürstengeschwindigkeitsregler WB: IC3	Variateur ESC à balais étanche 40 A Firma : IC3	ESC 40 A a spazzole Firma IC3
SPMS664	S664 Standard Waterproof Metal Gear Servo 25T	Spektrum™ S664 Standard Wasserdichtes Metallgetriebe Servo 25T	Servo étanche à engrenages métalliques standard S664 25T	S664 Servo impermeabile standard con ingranaggi in metallo 25T

OPTIONAL PARTS / OPTIONALE TEILE / PIÈCES EN OPTION / PARTI OPZIONALI

Part #	Description	Beschreibung	Description	Descrizione
AXI230025	Universal Body Post Set: SCX10 III	Universal-Gehäusestangensatz: SCX10 III	Ensemble poteau de carrosserie universel : SCX10 III	Set supporti scocca universale: SCX10 III
AXI232026	AR45 Differential Cover: SCX10 III	AR45 Differenzialgehäuse: SCX10 III	Couvercle de différentiel AR45 : SCX10 III	Carter differenziale AR45: SCX10 III
AXI233036	Shock Set Complete (2): PRO	Stoßdämpfersatz, komplett (2): PRO	Ensemble amortisseur complet (2) : PRO	Kit ammortizzatori completo (2): PRO
AXI234010	Panhard Bar and Links, Portal: SCX10 III	Panhardstab und Stangen, Portal: SCX10 III	Barre Panhard et tringleries, portique : SCX10 III	Barra Panhard e collegamenti, portale: SCX10 III
AXI238001	LCXU Dig Conversion Kit	LCXU Dig Umrüstsatz	Kit de conversion Dig LCXU	Kit conversione DIG LCXU
AXI43001	1.9 KMC Machete Wheel - Satin Silver (2pcs)	1.9 KMC Macheten-Rad – Satinsilber (2 Stck.)	Roues Machete 1,9 po KMC - Argent satiné (2 pièces)	Ruota 1.9 KMC Machete - argento satinato (2 pz)
AXI43004	1.9 3pc. Raceline Monster Beadlock Wheels Blk (2)	1.9 3Stck Raceline Monster Beadlock-Räder, Schwarz (2)	1,9 po 3 pièces. Roues à verrou de talon Raceline Monster, noires (2)	1.9 3 pz. Cerchi Raceline Monster Beadlock, neri (2)
AXI43005	1.9 MW19 Beadlock Wheels - Gray (2pcs)	1.9 MW 19 Beadlock-Räder – Grau (2 Stck.)	Roues 1,9 po avec verrou de talon MW19 - Grises (2 pièces)	Cerchioni Beadlock 1,9 MW19 – grigio (2 pz)
AXI43009	1.9 KMC Machete Beadlock Wheels, Satin (2)	1.9 KMC Machete Beadlock-Räder, Satin (2)	Roues 1,9 po à verrou de talon KMC Machete, satinées (2)	Ruote 1.9 KMC Machete Beadlock, satinato (2)
AXI43010	1.9 Nitto Trail Grappler M/T 4.74 (Wide) (2)	1.9 Nitto Trail Grappler M/T 4.74 (breit) (2)	Pneus 1,9 po Nitto Trail Grappler M/T 4,74 (larges) (2)	Pneumatici 1.9 Nitto Trail Grappler M/T 4.74 (larghi) (2 pezzi)
AXI43013	1.9 Retro Slot Beadlock Wheels, Satin (2)	1.9 Retro Slot Beadlock-Räder, Satin (2)	Roues 1,9 po à verrou de talon Retro Slot, satinées (2)	Ruote 1.9 Retro Slot Beadlock, satinato (2)
AXI43014	1.9 Falken WILDPEAK M/T 4.7 R35 Tire w/Insert (2)	1.9 Falken WILDPEAK M/T 4.7 R35 Reifen mit Einsatz (2)	Pneus 1,9 po Falken WILDPEAK M/T R35 4,7 avec insertions (2)	Pneumatico Falken WILDPEAK M/T 4.7 R35 1.9 con inserto (2)
AXI43015	Black Rhino Primm 1.9" Wheels, 12mm Hex, Black (2)	Black Rhino Primm 1.9"-Räder, 12mm Sechskant, Schwarz (2)	Roues 1,9 po Black Rhino Primm, montées en 12 mm, hexagonal, noires (2)	Ruote Black Rhino Primm da 1,9", esagono da 12 mm, nero (2)

Part #	Description	Beschreibung	Description	Descrizione
AXI43016	1.9 Falken WILDPEAK M/T 4.19 R35 Tires w/Ins (2)	1.9 Falken WILDPEAK M/T 4.19 R35 Reifen mit Einsätzen (2)	Pneus 1,9 po Falken WILDPEAK M/T R35 4,19 avec insertions (2)	Pneumatici Falken WILDPEAK M/T 1.9 4.19 R35 con inserti (2)
AXI70000	Axial Foam Pit Mat, 24 x 48	Axiale Schaumstoff-Boxenmatte, 24"x 48"	Pit mat en mousse Axial, 24 po x 48 po	Tappetino in schiuma assiale, 24"x 48"
AXIC0724	AX30724 Pinion Gear 32P 13T Steel 3mm Motor Shaft	AX30724 Zahnradgetriebe 32P 13T Stahl 3mm Motorwelle	Arbre de moteur à engrenages à pignons en acier 32P 13T de 3 mm AX30724	AX30724 Pignone 32P 13T acciaio 3mm albero motore
AXIC0726	AX30726 Pinion Gear 32P 15T 3mm	AX30726 AX30728 Zahnradgetriebe 32P 15T 3mm	Engrenage à pignons 32P 15T 3 mm AX30726	AX30728 Pignone 32P 15T 3mm
AXIC0727	AX30727 Pinion Gear 32P 16T Steel 3mm Motor Shaft	AX30727 Zahnradgetriebe 32P 16T Stahl 3mm Motorwelle	Arbre de moteur à engrenages à pignons en acier 32P 16T 3 mm AX30727	AX30727 Pignone 32P 16T acciaio 3mm albero motore
AXIC0834	AX30834 Aluminum Servo Horn 23T	AX30834 Aluminium-Servohorn 23T	Renvoi de commande du servo en aluminium 23T AX30834	AX30834 Braccetto del servo in alluminio 23T
AXIC0836	AX30836 Aluminum Servo Horn 25T	AX30836 Aluminium-Servohorn 25T	Renvoi de commande du servo en aluminium 25T AX30836	AX30836 Braccetto del servo in alluminio 25T
AXIC1143	AX31143 1.9 Falken Wildpeak M/T R35 (2)	AX31143 1.9 Falken Wildpeak M/T R35 (2)	Pneus 1,9 po Falken Wildpeak M/T R35 AX31143 (2)	AX31143 1.9 Falken Wildpeak M/T R35 (2)
AXIC2014	AX12014 Gate Marker Set Green/Orange (10)	AX12014 Gate Marker-Set Grün/Orange (10)	Ensemble de marqueurs de porte vert orange AX12014 (10)	AX12014 Set di marcatori per cancelli verde arancione (10)
AXIC2020	AX31565 1.9 NittoTrailGrapppler M/T R35 Compnd (2)	AX31565 1.9 NittoTrailGrapppler M/T R35 Verbund (2)	Pneus 1,9 po Nitto Trail Grapppler M/T R35 Compound AX31565 (2)	AX31565 1.9 NittoTrailGrapppler M/T R35 Compnd (2)
AXIC3070	AX30709 Universal 5 Bucket Light Bar Set	AX30709 5-schaliger Universal-Leuchtbalkensatz	Rampe d'éclairage universelle 5 spots AX30709	AX30709 Set di 5 barre luminose universali
AXIC3093	AX31093 1.9 BFGoodrich Krawler T/A R35 (2)	AX31093 1.9 BFGoodrich Krawler T/A R35 (2)	Pneus 1,9 po BFGoodrich Krawler T/A R35 AX31093 (2)	AX31093 1.9 BFGoodrich Krawler T/A R35 (2)
AXIC7028	AX30728 Pinion Gear 32P 17T Steel 3mm Motor Shaft	AX30728 Zahnradgetriebe 32P 17T Stahl 3mm Motorwelle	Arbre de moteur à engrenages à pignons en acier 32P 17T 3 mm AX30728	AX30728 Pignone 32P 17T acciaio 3mm albero motore
DTXR0955	TrakPower TK955 Digital Soldering Station	TrakPower TK955 Digitale Lötstation	Station de soudure numérique TrakPower TK955	Stazione di saldatura digitale TrakPower TK955
DYN2950	8-in 1 Hex Wrench Kit	8-in-1 Sechskantschlüsselsatz	Kit de clés hexagonales 8-en-1	Set chiavi esagonali 8-in-1
DYNT0500	Startup Tool Set: ECX/VTR/HPI	Startup-Werkzeugsatz: ECX/VTR/HPI	Ensemble d'outils de démarrage : ECX/VTR/HPI	Set attrezzi base: ECX/VTR/HPI
LOSB1117	Front Shock Springs (3pr): Mini-T, Mini-B	Vordere Stoßdämpferfedern (3pr): Mini-T, Mini-B	Ressorts d'amortisseur avant (3 paires) : Mini-T, Mini-B	Molle ammortizzatori ant. (3 pr): Mini-T, Mini-B
PRO1012810	Hyrax 1.9 G8 Mtd Impulse Black Whls (2)	Hyrax 1.9 Mtd Impulse Schwarz Räder (2)	Roues 1,9 po Impulse montées G8 Hyrax, noires (2)	Cerchi Hyrax 1.9 G8 Montati Impulse Nero (2)
PRO1025403	Aztek 1.9" Predator (Super Soft) Rock Crawling Truck Tires (2) for Front or Rear	Aztek 1.9" Predator (Super Soft) Rock Crawling Truck-Reifen (2) für vorne oder hinten	Pneus 1,9 po camion d'avancée sur les roches Aztek Predator (Super Soft) avant/arrière (2)	Cerchi Aztek 1.9" Predator (Super Soft) Rock Crawling Truck (2) per Ant. o Post.
PRO278100	Rock Shooter 1.9 Alum Bead-Loc Wheels Crawlers F/R	Rock Shooter 1.9 Alum Bead-Loc Räder Crawler F/R	Roues 1,9 po à verrou de talon Crawler en aluminium Rock Shooter avant/arrière	Cerchi Rock Shooter 1.9 Alum Bead-Loc Crawler A/R
PRO280903	1/10 Holcomb F/R 1.9 Crawlr Bead-Loc Whls (2) Blk	1/10 Holcomb F/R 1.9 Crawler Bead-Loc Räder (2) Schwarz	Roues 1,9 po à verrou de talon Crawler Holcomb avant/arrière à l'échelle 1/10 (2) noires	Cerchi Bead-Lock 1.9 Holcomb anteriori/posteriori 1/10 per crawler (2 pezzi), neri
PRO360400	1/10 Chevy K-10 Clr Bdy for 12.3 Whlbs Scl Cwlrsls	1/10 Chevy K-10 Clr Bdy für 12.3 Räder Scl Cwlrsls	Carrosserie transparente Dodge K-10 à l'échelle 1/10 pour crawlers à empatement de 12,3 po	Carrozzeria trasparente Chevy K-10 1/10 per crawler passo 12.3"
PRO361500	1/10 Cliffhanger HP Cab-Only Clr Bdy 12.3 Cwlrsls	1/10 Cliffhanger HP Nur-Kab. Clr Gehäuse 12.3 Cwlrsls	Carrosserie transparente (cabine uniquement) HP à l'échelle 1/10 12,3 po Crawlers	Cliffhanger HP 1/10 – Carrozzeria trasparente (solo cabina) per crawler 12.3"
PRO362000	1997 Dodge Dakota Clear Body for 12.3" (313mm) Wheelbase Scale Crawlers	1997 Dodge Dakota transparentes Gehäuse: für 12,3" (313mm) Radstand maßstabsgetreuem Crawler	Carrosserie transparente Dodge Dakota 1997 pour crawlers à l'échelle à empatement de 12,3 po (313 mm)	Carrozzeria trasparente Dodge Dakota del 1997 per modellini in scala con passo da 313 mm
PRO362300	1979 Toyota Land Cruiser FJ40 Clear Body with Trail Cage & Scale Molded Accessories for 12.3" (313mm) Wheelbase Scale Crawlers	1979 Toyota Land Cruiser FJ40, transparentes Gehäuse mit Trail Cage und maßstabsgetreuem Zubehör für Crawler mit 12,3 Zoll (313 mm) Radstand	Carrosserie transparente Toyota Land Cruiser FJ40 de 1979 avec cage de protection et accessoires moulés à l'échelle pour crawlers à l'échelle à empatement de 12,3 po (313 mm)	Carrozzeria trasparente Toyota Land Cruiser FJ40 del 1979 con gabbia di traino e accessori stampati in scala per crawler in scala con passo da 313 mm

Part #	Description	Beschreibung	Description	Descrizione
PRO362500	Coyote Grande Clear Body for 12.3" (313mm) Wheelbase Scale Crawlers	Coyote Grande transparentes Gehäuse: für 12,3" (313mm) Radstand maßstabsgetreuem Crawler	Carrosserie transparente Coyote Grande pour crawlers à l'échelle à empattement de 12,3 po (313 mm)	Carrozzeria trasparente Coyote Grande per crawler in scala con passo da 313 mm
PRO627603	5 LED Light Bar 6V-12V Curved: SC & 1/8	5 LED-Leuchtbalken Bar 6V-12V gewölbt: SC & 1/8	Barre d'éclairage à 5 DEL 6V-12V incurvée : à l'échelle 1/8	Barra luminosa a 5 LED 6V-12V curva: SC & 1/8
PRO990801	Pro-Line Roll-Up Pit Mat	Pro-Line aufrollbare Boxenmatte	Pit mat enroulable Pro-Line	Tappetino avvolgibile Pro-Line
SEHREEF175	Brass Portal Knucle Set ScxPro / Capra / Scx10.3	Portal-Achsschenkel-Set ScxPro / Capra / Scx10.3	Ensemble de rotules de portique en laiton ScxPro / Capra / Scx10.3	Fuselli portal in ottone – compatibili con SCX Pro, Capra, SCX10.3
SEHREEF180	Brass Portal Covers ScxPro / Capra / Scx10.3	Portal-Achsschenkel-Abdeckungen ScxPro / Capra / Scx10.3	Couvercles de portique en laiton ScxPro / Capra / Scx10.3	Coperture del portale in ottone ScxPro / Capra / Scx10.3
SPM2340	DX3 SMART DSMR 3CH TX w/SR315	DX3 SMART DSMR TX mit 3 Kanälen mit SR315	Émetteur DX3 SMART DSMR 3 canaux avec SR315	TX DX3 SMART DSMR 3CH con SR315
SPM6125	DX6C TX w/SR315 RX	DX6C TX w/SR315 RX	Émetteur DX6C avec récepteur SR315	DX6C TX w/SR315 RX
SPM6420	iXSR Surface Transmitter with SR515 Receiver	iXSR-Oberflächensender mit SR515-Empfänger	Émetteur de surface iXSR avec récepteur SR515	Trasmittente di superficie iXSR con Ricevitore SR515
SPMR5025	DX5 Pro DSMR TX Only	DX5 Pro DSMR nur TX	Émetteur DX5 Pro DSMR uniquement	DX5 Pro DSMR Solo TX
SPMR6215G	DX6 Rugged 6 Channel DSMR Transmitter Only, Green	DX6 Robuster 6-Kanal DSMR-Sender nur Grün	Émetteur DSMR à 6 canaux DX6 Rugged uniquement, vert	Solo trasmettente DSMR DX6 Rugged a 6 canali, verde
SPMSS6250	S6250 Ultra Torque High Speed Digi WP Metal Servo	S6250 Metall-Servo mit Ultra-Drehmoment, Digit WP Metallservo	Servo métallique étanche numérique à vitesse et couple élevés S6250	Servo digitale S6250 – alta coppia e velocità, waterproof, ingranaggi in metallo
SPMSS7110	Spektrum 1/10 Servo Winch	Spektrum 1/10 Servo Winde	Bobine de servo 1/10 Spektrum	Argano servo Spektrum 1/10
SPMX-1048	Smart G2 Trail Pro 1280 4S 14.8V 50C LiPo w/ IC3	Smart G2 Trail Pro 1280 4S 14,8 V 50C LiPo mit IC3	Batterie Li-Po Smart G2 Trail Pro 1280 mAh 4S 14,8 V 50C avec IC3	Smart G2 Trail Pro 1280 mAh 4S 14.8 V 50C LiPo con IC3
SPMX-1051	Smart G2 Trail Pro 650mAh 3S 11.1V 50C LiPo w/ IC2	Smart G2 Trail Pro 650 mAh 3S 11,1 V 50C LiPo mit IC2	Batterie Li-Po Smart G2 Trail Pro 650 mAh 3S 11,1 V 50C avec IC2	Smart G2 Trail Pro 650 mAh 3S 11.1 V 50C LiPo con IC2
SPMX13003S30M	1300mAh 3S 11.1V Smart LiPo Battery 30C IC3	1300 mAh 3S 11,1 V Smart G2 LiPo-Akku 30C; IC3	Batterie Li-Po 1300 mAh 3S 11,1 V 30C ; IC3	1300 mAh 3S 11.1 V batteria Smart LiPo 30C IC3
SPMX133S30	1300mAh 3S 11.1V Smart G2 LiPo 30C; IC3	1300 mAh 3S 11,1 V Smart G2 LiPo 30C; IC3	Li-Po Smart G2 1300 mAh 3S 11,1 V 30C ; IC3	1300mAh 3S 11.1V Smart G2 LiPo 30C; IC3
SPMX223S50	2200mAh 3S 11.1V Smart G2 LiPo 50C; IC3	2200 mAh 3S 11,1 V Smart G2 LiPo 50C; IC3	Li-Po Smart G2 2200 mAh 3S 11,1 V 50C ; IC3	2200 mAh 3S 11,1 V Smart G2 LiPo 50C; IC3
SPMXBC100	XBC100 SMART Battery Checker & Servo Driver	XBC100 SMART-Akkuprüfer und Servotreiber	Contrôleur et servomoteur pour batterie SMART XBC100	Servo driver e tester batteria Smart XBC100
SPMXC2010	Smart S2200 G2 AC Charger, 2x200W	Smart S2200 G2 Wechselstrom-Ladegerät, 2x200 W	Chargeur c.a. G2 S2200 Smart, 2x200 W	Caricabatteria Smart S2200 G2 CA, 2x200 W
SPMXC2020	Smart S1200 G2 AC Charger; 1x200W	Smart S1200 G2 Wechselstrom-Ladegerät; 1x200W	Chargeur Smart CA S1200 G2, 1 x 200 W	Caricabatteria Smart S1200 G2 CA, 1x200 W
SPMXC2050	S155 55W AC G2 Smart Charger	S155 55 W AC G2 Smart-Ladegerät	Chargeur c.a. Smart S155 G2 55 W	Caricabatteria Smart S155 G2 55 W CA
SPMXC2080	Smart S1100 AC Charger, 1x100W	Smart S1100 Wechselstrom-Ladegerät, 1x100 W	Chargeur c.a. Smart S1100, 1 x 100 W	Caricabatteria Smart S1100 CA, 1x100 W
SPMXC2090	Smart S100 G2 USB-C Charger	S100 G2 USB-C Smart-Ladegerät	Chargeur Smart USB-C G2 S100	Caricabatteria Smart USB-C S100 G2
SPMXC2090P	S100 1x100W USB-C Smart Charger, 65W USB-C GaN Power Supply Combo	S100 1x100W USB-C Smart-Ladegerät, 65 W USB-C GaN Netzteil Combo	Combinaison chargeur Smart USB-C S100 1 x 100 W et alimentation électrique GaN USB-C 65 W	S100 Caricatore smart 1x100W USB-C + alimentatore GaN 65W USB-C (combo)
SPMXSE40	FIRMA 40A Lite Smart WP Brushed ESC	FIRMA 40A Lite Smart WP Brushed Geschwindigkeitsregler	Variateur ESC à balais étanche Lite Smart 40 A FIRMA	FIRMA 40A Lite regolatore di velocità spazzolato Smart, impermeabile
SPMXSEM1040A	Firma 2 in 1 Brushless Crawler Motor/ESC: 1400Kv	Firma 2-in-1 Bürstenloser Crawler-Motor Geschwindigkeitsregler: 1400Kv	Variateur ESC/moteur sans balais 2-en-1 Crawler Firma : 1400 Kv	Motore ESC 2 in 1 Firma Brushless Crawler: 1400Kv
SPMXSEM1040B	Firma 2 in 1 Brushless Crawler Motor/ESC: 2300Kv	Firma 2-in-1 Bürstenloser Crawler-Motor Geschwindigkeitsregler: 2300 Kv	Variateur ESC/moteur sans balais 2-en-1 Crawler Firma : 2300 kv	Motore ESC 2 in 1 Firma Brushless Crawler: 2300 Kv

Part #	Description	Beschreibung	Description	Descrizione
SPMXSEMC09	Firma 60A BL Smart ESC/2800Kv Sense Mot Crawl Com	Firma 60A BL Smart ESC 2800 Kv Sense Mot Crawl Com	Combinaison variateur ESC Smart sans balais 60 A Firma / moteur Crawler avec capteurs 2800 Kv	Combo ESC motore Firma 60 A BL Smart 2800 Kv con sensori Crawler
SPMXSM5205	Firma 20T Rebuildable 5 Pole Brushed Crawler Motor	Firma 20T Erneuerbarer 5-poliger Crawler-Bürstenmotor	Moteur Crawler à balais 5 pôles reconstruisible 20 T Firma	Motore per crawler Firma 20T ricostruibile a 5 poli a spazzole

RECOMMENDED // EMPFOHLEN // RECOMMANDÉ // CONSIGLIATO

Part #	Description	Beschreibung	Description	Descrizione
AXI230025	Universal Body Post Set: SCX10 III	Universal-Gehäusestangensatz: SCX10 III	Ensemble poteau de carrosserie universel : SCX10 III	Set supporti scocca universale: SCX10 III
AXI232026	AR45 Differential Cover: SCX10 III	AR45 Differenzialgehäuse: SCX10 III	Couvercle de différentiel AR45 : SCX10 III	Carter differenziale AR45: SCX10 III
AXI233036	Shock Set Complete (2): PRO	Stoßdämpfersatz, komplett (2): PRO	Ensemble amortisseur complet (2) : PRO	Kit ammortizzatori completo (2): PRO
AXI234010	Panhard Bar and Links, Portal: SCX10 III	Panhardstab und Stangen, Portal: SCX10 III	Barre Panhard et tringleries, portique : SCX10 III	Barra Panhard e collegamenti, portale: SCX10 III
AXI238001	LCXU Dig Conversion Kit	LCXU Dig Umrüstsatz	Kit de conversion Dig LCXU	Kit conversione DIG LCXU
AXI43001	1.9 KMC Machete Wheel - Satin Silver (2pcs)	1.9 KMC Macheten-Rad – Satinsilber (2 Stck.)	Roues Machete 1,9 po KMC - Argent satiné (2 pièces)	Ruota 1.9 KMC Machete - argento satinato (2 pz)
AXI43004	1.9 3pc. Raceline Monster Beadlock Wheels Blk (2)	1.9 3Stck Raceline Monster Beadlock-Räder, Schwarz (2)	1,9 po 3 pièces. Roues à verrou de talon Raceline Monster, noires (2)	1.9 3 pz. Cerchi Raceline Monster Beadlock, neri (2)
AXI43005	1.9 MW19 Beadlock Wheels - Gray (2pcs)	1,9 MW 19 Beadlock-Räder – Grau (2 Stck.)	Roues 1,9 po avec verrou de talon MW19 - Grises (2 pièces)	Cerchioni Beadlock 1,9 MW19 – grigio (2 pz)
AXI43009	1.9 KMC Machete Beadlock Wheels, Satin (2)	1.9 KMC Machete Beadlock-Räder, Satin (2)	Roues 1,9 po à verrou de talon KMC Machete, satinées (2)	Ruote 1.9 KMC Machete Beadlock, satinato (2)
AXI43010	1.9 Nitto Trail Grappler M/T 4.74 (Wide) (2)	1.9 Nitto Trail Grappler M/T 4.74 (breit) (2)	Pneus 1,9 po Nitto Trail Grappler M/T 4,74 (larges) (2)	Pneumatici 1.9 Nitto Trail Grappler M/T 4.74 (larghi) (2 pezzi)
AXI43013	1.9 Retro Slot Beadlock Wheels, Satin (2)	1.9 Retro Slot Beadlock-Räder, Satin (2)	Roues 1,9 po à verrou de talon Retro Slot, satinées (2)	Ruote 1.9 Retro Slot Beadlock, satinato (2)
AXI43014	1.9 Falken WILDPEAK M/T 4.7 R35 Tire w/Insert (2)	1.9 Falken WILDPEAK M/T 4.7 R35 Reifen mit Einsatz (2)	Pneus 1,9 po Falken WILDPEAK M/T R35 4,7 avec insertions (2)	Pneumatico Falken WILDPEAK M/T 4.7 R35 1.9 con inserto (2)
AXI43015	Black Rhino Primm 1.9" Wheels, 12mm Hex, Black (2)	Black Rhino Primm 1.9"-Räder, 12mm Sechskant, Schwarz (2)	Roues 1,9 po Black Rhino Primm, montées en 12 mm, hexagonal, noires (2)	Ruote Black Rhino Primm da 1,9", esagono da 12 mm, nero (2)
AXI43016	1.9 Falken WILDPEAK M/T 4.19 R35 Tires w/Ins (2)	1.9 Falken WILDPEAK M/T 4.19 R35 Reifen mit Einsätzen (2)	Pneus 1,9 po Falken WILDPEAK M/T R35 4,19 avec insertions (2)	Pneumatici Falken WILDPEAK M/T 1.9 4.19 R35 con inserti (2)
AXI70000	Axial Foam Pit Mat, 24 x 48	Axiale Schaumstoff-Boxenmatte, 24"x 48"	Pit mat en mousse Axial, 24 po x 48 po	Tappetino in schiuma assiale, 24"x 48"
AXIC0724	AX30724 Pinion Gear 32P 13T Steel 3mm Motor Shaft	AX30724 Zahnradgetriebe 32P 13T Stahl 3mm Motorwelle	Arbre de moteur à engrenages à pignons en acier 32P 13T de 3 mm AX30724	AX30724 Pignone 32P 13T acciaio 3mm albero motore
AXIC0726	AX30726 Pinion Gear 32P 15T 3mm	AX30726 AX30728 Zahnradgetriebe 32P 15T 3mm	Engrenage à pignons 32P 15T 3 mm AX30726	AX30728 Pignone 32P 15T 3mm
AXIC0727	AX30727 Pinion Gear 32P 16T Steel 3mm Motor Shaft	AX30727 Zahnradgetriebe 32P 16T Stahl 3mm Motorwelle	Arbre de moteur à engrenages à pignons en acier 32P 16T 3 mm AX30727	AX30727 Pignone 32P 16T acciaio 3mm albero motore
AXIC0834	AX30834 Aluminum Servo Horn 23T	AX30834 Aluminium-Servohorn 23T	Renvoi de commande du servo en aluminium 23T AX30834	AX30834 Braccetto del servo in alluminio 23T
AXIC0836	AX30836 Aluminum Servo Horn 25T	AX30836 Aluminium-Servohorn 25T	Renvoi de commande du servo en aluminium 25T AX30836	AX30836 Braccetto del servo in alluminio 25T
AXIC1143	AX31143 1.9 Falken Wildpeak M/T R35 (2)	AX31143 1.9 Falken Wildpeak M/T R35 (2)	Pneus 1,9 po Falken Wildpeak M/T R35 AX31143 (2)	AX31143 1.9 Falken Wildpeak M/T R35 (2)
AXIC2014	AX12014 Gate Marker Set Green/Orange (10)	AX12014 Gate Marker-Set Grün/Orange (10)	Ensemble de marqueurs de porte vert orange AX12014 (10)	AX12014 Set di marcatori per cancelli verde arancione (10)
AXIC2020	AX31565 1.9 NittoTrailGrappler M/T R35 Compnd (2)	AX31565 1.9 NittoTrailGrappler M/T R35 Verbund (2)	Pneus 1,9 po Nitto Trail Grappler M/T R35 Compound AX31565 (2)	AX31565 1.9 NittoTrailGrappler M/T R35 Compnd (2)
AXIC3070	AX30709 Universal 5 Bucket Light Bar Set	AX30709 5-schaliger Universal-Leuchtbalkensatz	Rampe d'éclairage universelle 5 spots AX30709	AX30709 Set di 5 barre luminose universali

Part #	Description	Beschreibung	Description	Descrizione
AXIC3093	AX31093 1.9 BFGoodrich Krawler T/A R35 (2)	AX31093 1.9 BFGoodrich Krawler T/A R35 (2)	Pneus 1,9 po BFGoodrich Krawler T/A R35 AX31093 (2)	AX31093 1.9 BFGoodrich Krawler T/A R35 (2)
AXIC7028	AX30728 Pinion Gear 32P 17T Steel 3mm Motor Shaft	AX30728 Zahnradgetriebe 32P 17T Stahl 3mm Motorwelle	Arbre de moteur à engrenages à pignons en acier 32P 17T 3 mm AX30728	AX30728 Pignone 32P 17T acciaio 3mm albero motore
DTXR0955	TrakPower TK955 Digital Soldering Station	TrakPower TK955 Digitale Lötstation	Station de soudure numérique TrakPower TK955	Stazione di saldatura digitale TrakPower TK955
DYN2950	8-in 1 Hex Wrench Kit	8-in-1 Sechskantschlüsselsatz	Kit de clés hexagonales 8-en-1	Set chiavi esagonali 8-in-1
DYNT0500	Startup Tool Set: ECX/VTR/HPI	Startup-Werkzeugsatz: ECX/VTR/HPI	Ensemble d'outils de démarrage : ECX/VTR/HPI	Set attrezzi base: ECX/VTR/HPI
LOSB1117	Front Shock Springs (3pr): Mini-T, Mini-B	Vordere Stoßdämpferfedern (3pr): Mini-T, Mini-B	Ressorts d'amortisseur avant (3 paires) : Mini-T, Mini-B	Molle ammortizzatori ant. (3 pr): Mini-T, Mini-B
PRO1012810	Hyrax 1.9 G8 Mtd Impulse Black Whls (2)	Hyrax 1.9 Mtd Impulse Schwarz Räder (2)	Roues 1,9 po Impulse montées G8 Hyrax, noires (2)	Cerchi Hyrax 1.9 G8 Montati Impulse Nero (2)
PRO1025403	Aztek 1.9" Predator (Super Soft) Rock Crawling Truck Tires (2) for Front or Rear	Aztek 1.9" Predator (Super Soft) Rock Crawling Truck-Reifen (2) für vorne oder hinten	Pneus 1,9 po camion d'avancée sur les roches Aztek Predator (Super Soft) avant/arrière (2)	Ruote Aztek 1.9" Predator (Super Soft) Rock Crawling Truck (2) per Ant. o Post.
PRO278100	Rock Shooter 1.9 Alum Bead-Loc Wheels Crawlers F/R	Rock Shooter 1.9 Alum Bead-Loc Räder Crawler F/R	Roues 1,9 po à verrou de talon Crawler en aluminium Rock Shooter avant/arrière	Cerchi Rock Shooter 1.9 Alum Bead-Loc Crawler A/R
PRO280903	1/10 Holcomb F/R 1.9 Crawlr Bead-Loc Whls (2) Bk	1/10 Holcomb F/R 1.9 Crawler Bead-Loc Räder (2) Schwarz	Roues 1,9 po à verrou de talon Crawler Holcomb avant/arrière à l'échelle 1/10 (2) noires	Cerchi Bead-Lock 1.9 Holcomb anteriori/posteriori 1/10 per crawler (2 pezzi), neri
PRO360400	1/10 Chevy K-10 Clr Bdy for 12.3 Whlbs Scl Cwlr	1/10 Chevy K-10 Clr Bdy für 12.3 Räder Scl Cwlr	Carrosserie transparente Chevy K-10 à l'échelle 1/10 pour crawlers à empattement de 12,3 po	Carrozzeria trasparente Chevy K-10 1/10 per crawler passo 12.3"
PRO361500	1/10 Cliffhanger HP Cab-Only Clr Bdy 12.3 Cwlr	1/10 Cliffhanger HP Nur-Kab. Clr Gehäuse 12.3 Cwlr	Carrosserie transparente (cabine uniquement) HP à l'échelle 1/10 12,3 po Crawlers	Cliffhanger HP 1/10 – Carrozzeria trasparente (solo cabina) per crawler 12.3"
PRO362000	1997 Dodge Dakota Clear Body for 12.3" (313mm) Wheelbase Scale Crawlers	1997 Dodge Dakota transparentes Gehäuse: für 12,3" (313mm) Radstand maßstabsgetreuem Crawler	Carrosserie transparente Dodge Dakota 1997 pour crawlers à l'échelle à empattement de 12,3 po (313 mm)	Carrozzeria trasparente Dodge Dakota del 1997 per modellini in scala con passo da 313 mm
PRO362300	1979 Toyota Land Cruiser FJ40 Clear Body with Trail Cage & Scale Molded Accessories for 12.3" (313mm) Wheelbase Scale Crawlers	1979 Toyota Land Cruiser FJ40, transparentes Gehäuse mit Trail Cage und maßstabsgetreuem Zubehör für Crawler mit 12,3 Zoll (313 mm) Radstand	Carrosserie transparente Toyota Land Cruiser FJ40 de 1979 avec cage de protection et accessoires moulés à l'échelle pour crawlers à l'échelle à empattement de 12,3 po (313 mm)	Carrozzeria trasparente Toyota Land Cruiser FJ40 del 1979 con gabbia di traino e accessori stampati in scala per crawler in scala con passo da 313 mm
PRO362500	Coyote Grande Clear Body for 12.3" (313mm) Wheelbase Scale Crawlers	Coyote Grande transparentes Gehäuse: für 12,3" (313mm) Radstand maßstabsgetreuem Crawler	Carrosserie transparente Coyote Grande pour crawlers à l'échelle à empattement de 12,3 po (313 mm)	Carrozzeria trasparente Coyote Grande per crawler in scala con passo da 313 mm
PRO627603	5 LED Light Bar 6V-12V Curved: SC & 1/8	5 LED-Leuchtbalken Bar 6V-12V gewölbt: SC & 1/8	Barre d'éclairage à 5 DEL 6V-12V incurvée : à l'échelle 1/8	Barra luminosa a 5 LED 6V-12V curva: SC & 1/8
PRO990801	Pro-Line Roll-Up Pit Mat	Pro-Line aufrollbare Boxenmatte	Pit mat enroulable Pro-Line	Tappetino avvolgibile Pro-Line
SEHREEFS175	Brass Portal Knucle Set ScxPro / Capra / Scx10.3	Portal-Achsschenkel-Set ScxPro / Capra / Scx10.3	Ensemble de rotules de portique en laiton ScxPro / Capra / Scx10.3	Fuselli portal in ottone – compatibili con SCX Pro, Capra, SCX10.3
SEHREEFS180	Brass Portal Covers ScxPro / Capra / Scx10.3	Portal-Achsschenkel-Abdeckungen ScxPro / Capra / Scx10.3	Couvercles de portique en laiton ScxPro / Capra / Scx10.3	Coperture del portale in ottone ScxPro / Capra / Scx10.3
SPM2340	DX3 SMART DSMR 3CH TX w/SR315	DX3 SMART DSMR TX mit 3 Kanälen mit SR315	Émetteur DX3 SMART DSMR 3 canaux avec SR315	TX DX3 SMART DSMR 3CH con SR315
SPM6125	DX6C TX w/SR315 RX	DX6C TX w/SR315 RX	Émetteur DX6C avec récepteur SR315	DX6C TX w/SR315 RX
SPM6420	iXSR Surface Transmitter with SR515 Receiver	iXSR-Oberflächensender mit SR515-Empfänger	Émetteur de surface iXSR avec récepteur SR515	Trasmittente di superficie iXSR con Ricevitore SR515
SPMR5025	DX5 Pro DSMR TX Only	DX5 Pro DSMR nur TX	Émetteur DX5 Pro DSMR uniquement	DX5 Pro DSMR Solo TX
SPMR6215G	DX6 Rugged 6 Channel DSMR Transmitter Only, Green	DX6 Robuster 6-Kanal DSMR-Sender nur Grün	Émetteur DSMR à 6 canaux DX6 Rugged uniquement, vert	Solo trasmettente DSMR DX6 Rugged a 6 canali, verde

Part #	Description	Beschreibung	Description	Descrizione
SPMSS6250	S6250 Ultra Torque High Speed Digi WP Metal Servo	S6250 Metall-Servo mit Ultra-Drehmoment, Digit WP Metallservo	Servo métallique étanche numérique à vitesse et couple élevés S6250	Servo digitale S6250 – alta coppia e velocità, waterproof, ingranaggi in metallo
SPMSS7110	Spektrum 1/10 Servo Winch	Spektrum 1/10 Servo Winde	Bobine de servo 1/10 Spektrum	Argano servo Spektrum 1/10
SPMX-1048	Smart G2 Trail Pro 1280 4S 14.8V 50C LiPo w/ IC3	Smart G2 Trail Pro 1280 4S 14,8 V 50C LiPo mit IC3	Batterie Li-Po Smart G2 Trail Pro 1280 mAh 4S 14,8 V 50C avec IC3	Smart G2 Trail Pro 1280 mAh 4S 14.8 V 50C LiPo con IC3
SPMX-1051	Smart G2 Trail Pro 650mAh 3S 11.1V 50C LiPo w/ IC2	Smart G2 Trail Pro 650 mAh 3S 11,1 V 50C LiPo mit IC2	Batterie Li-Po Smart G2 Trail Pro 650 mAh 3S 11,1 V 50C avec IC2	Smart G2 Trail Pro 650 mAh 3S 11.1 V 50C LiPo con IC2
SPMX13003S30M	1300mAh 3S 11.1V Smart LiPo Battery 30C IC3	1300 mAh 3S 11,1 V Smart G2 LiPo-Akku 30C; IC3	Batterie Li-Po 1300 mAh 3S 11,1 V 30C ; IC3	1300 mAh 3S 11.1 V batteria Smart LiPo 30C IC3
SPMX133S30	1300mAh 3S 11.1V Smart G2 LiPo 30C; IC3	1300 mAh 3S 11,1 V Smart G2 LiPo 30C; IC3	Li-Po Smart G2 1300 mAh 3S 11,1 V 30C ; IC3	1300mAh 3S 11.1V Smart G2 LiPo 30C; IC3
SPMX223S50	2200mAh 3S 11.1V Smart G2 LiPo 50C; IC3	2200 mAh 3S 11,1 V Smart G2 LiPo 50C; IC3	Li-Po Smart G2 2200 mAh 3S 11,1 V 50C ; IC3	2200 mAh 3S 11,1 V Smart G2 LiPo 50C; IC3
SPMXBC100	XBC100 SMART Battery Checker & Servo Driver	XBC100 SMART-Akkuprüfer und Servotreiber	Contrôleur et servomoteur pour batterie SMART XBC100	Servo driver e tester batteria Smart XBC100
SPMXC2010	Smart S2200 G2 AC Charger, 2x200W	Smart S2200 G2 Wechselstrom-Ladegerät, 2x200 W	Chargeur c.a. G2 S2200 Smart, 2x200 W	Caricabatteria Smart S2200 G2 CA, 2x200 W
SPMXC2020	Smart S1200 G2 AC Charger; 1x200W	Smart S1200 G2 Wechselstrom-Ladegerät; 1x200W	Chargeur Smart CA S1200 G2, 1 x 200 W	Caricabatteria Smart S1200 G2 CA, 1x200 W
SPMXC2050	S155 55W AC G2 Smart Charger	S155 55 W AC G2 Smart-Ladegerät	Chargeur c.a. Smart S155 G2 55 W	Caricabatteria Smart S155 G2 55 W CA
SPMXC2080	Smart S1100 AC Charger, 1x100W	Smart S1100 Wechselstrom-Ladegerät, 1x100 W	Chargeur c.a. Smart S1100, 1 x 100 W	Caricabatteria Smart S1100 CA, 1x100 W
SPMXC2090	Smart S100 G2 USB-C Charger	S100 G2 USB-C Smart-Ladegerät	Chargeur Smart USB-C G2 S100	Caricabatteria Smart USB-C S100 G2
SPMXC2090P	S100 1x100W USB-C Smart Charger, 65W USB-C GaN Power Supply Combo	S100 1x100W USB-C Smart-Ladegerät, 65 W USB-C GaN Netzteil Combo	Combinaison chargeur Smart USB-C S100 1 x 100 W et alimentation électrique GaN USB-C 65 W	S100 Caricatore smart 1x100W USB-C + alimentatore GaN 65W USB-C (combo)
SPMXSEM1040A	Firma 2 in 1 Brushless Crawler Motor/ESC: 1400Kv	Firma 2-in-1 Bürstenloser Crawler-Motor Geschwindigkeitsregler: 1400Kv	Variateur ESC/moteur sans balais 2-en-1 Crawler Firma : 1400 Kv	Motore ESC 2 in 1 Firma Brushless Crawler: 1400Kv
SPMXSEM1040B	Firma 2 in 1 Brushless Crawler Motor/ESC: 2300Kv	Firma 2-in-1 Bürstenloser Crawler-Motor Geschwindigkeitsregler: 2300 Kv	Variateur ESC/moteur sans balais 2-en-1 Crawler Firma : 2300 Kv	Motore ESC 2 in 1 Firma Brushless Crawler: 2300 Kv
SPMXSEMC09	Firma 60A BL Smart ESC/2800Kv Sense Mot Crawl Com	Firma 60A BL Smart ESC 2800 Kv Sense Mot Crawl Com	Combinaison variateur ESC Smart sans balais 60 A Firma / moteur Crawler avec capteurs 2800 Kv	Combo ESC motore Firma 60 A BL Smart 2800 Kv con sensori Crawler
SPMXSM5205	Firma 20T Rebuildable 5 Pole Brushed Crawler Motor	Firma 20T Erneuerbarer 5-poliger Crawler-Bürstenmotor	Moteur Crawler à balais 5 pôles reconstruisible 20 T Firma	Motore per crawler Firma 20T ricostruibile a 5 poli a spazzole

facebook.com/axialinc | instagram.com/axialracing | twitter.com/axialrc
youtube.com/axialvideos | flickr.com/axialrc



©2025 Horizon Hobby, LLC.

Axial, the Axial logo, DSM, IC3 and the Horizon Hobby logo are trademarks or registered trademarks of Horizon Hobby, LLC.

The Spektrum trademark is used with permission of Bachmann Industries, Inc. Nitto® and Trail Grappler® are registered trademarks of Nitto Tire U.S.A., Inc.

The Raceline Wheels name and logo are trademarks or registered trademarks of Allied Wheel Components, Inc.

All other trademarks, service marks and logos are property of their respective owners.

Completed 4/25

AXI-3071, AXI-2036

1105405